



FASTRAC | INDUSTRIAL TRACTORS

Max power: 175-348hp





Discover the difference

Whatever your business, the JCB Fastrac 4000 and 8000 Series can make a huge difference; offering even more versatility, productivity, comfort, speed and safety than ever before.





UNRIVALED VERSATILITY.

THERE'S A FASTRAC FOR ANY APPLICATION. THE 4000 SERIES OFFERS COMPACT, AGILE PERFORMANCE, WHILE THE 8000 SERIES BRINGS COLOSSAL POWER AND UNRIVALLED SPEED.



The Swiss Army Knife of tractors.

1 JCB Fastracs excel in all kinds of applications, from highway maintenance to airport work, snow clearance, forestry or construction. Look no further for the best return on investment.

2 We've fitted a stepless CVT transmission with six driving modes and a wealth of configuration options. This gives you incredibly precise control right across the speed range; from 0-60km/h in the 4000 series and 0-70km/h in the 8000 series.

3 Unique self-levelling suspension offers unparalleled performance and comfort, whatever the weather or terrain. Our system responds intelligently to any load or ground condition, maintaining ride height and implement stability; making a Fastrac the perfect machine for precision work with large implements.



Ready for anything.

4 There are six mounting locations for a range of attachments on a JCB Fastrac 4000: front linkage, front DIN plate, front loader brackets, rear deck, rear hitch and rear drawbar. In short, it's the ideal platform for versatile attachment work.

5 So that you can select the most efficient drive for any attachment, we offer up to four rear PTO speeds (540/540E/1000/1000E).

6 You can equip your Fastrac with as many as six hydraulic spools (up to four front and four rear). With optional free flow return, load sensing power beyond, and priority flow control, there is no shortage of hydraulic options.

7 Optional LED headlights and work lights fully illuminate everything around the tractor as if it were daytime.



TAILORED PERFORMANCE.

EVERY BUSINESS IS DIFFERENT. THAT'S WHY WE HAVE A VAST RANGE OF OPTIONAL EXTRAS, ALLOWING YOU TO BUILD A FASTRAC FOR YOUR EXACT NEEDS. WITH FASTRAC, COMPROMISE IS A THING OF THE PAST.

Any attachment, any application.

1 JCB Fastracs have a unique rear deck, which provides a platform for demount attachments, ballast or storage. The deck has a formidable 4000kg load capacity, offering you a whole new world of opportunities to increase productivity.

2 We've designed the Fastrac 4000 Series to help you get the most out of your front attachments. As such, there are pre-drilled loader bracket holes as standard; you can mount the DIN plate on the front linkage or directly onto our optional utility chassis; and choose either a central or offset front PTO.

3 JCB's optional Stability Control System prevents body roll when you're working with heavy extended implements such as boom mowers. A large hydraulic ram counteracts the lateral load on the front axle, keeping the machine stable and level.



A world of possibilities.

4 Equip your 4000 Series Fastrac with all-round active self-levelling suspension for ultimate productivity. At the touch of a button you can increase ground clearance, or drop down beneath demount attachments for the quickest and easiest changeovers in the industry.

5 On the touch screen you can adjust the adaptive suspension through 150mm of travel and manually stiffen the front or rear axle.

6 To maximise versatility, a Fastrac's rear deck can be fitted with an agricultural or utility spider frame. We've designed these frames to distribute weight optimally across the chassis, providing you with a stable platform for a vast range of attachments.

7 We offer a wide range of wheel and tyre options - choose from industrial or agricultural treads in various sizes to maximise traction and load carrying capacity in any application.



4



5



6



6



7

GREATER PRODUCTIVITY.

HIGHER WORKING AND TRAVEL SPEEDS ARE JUST THE START. FIND OUT HOW FASTRAC CAN MAKE A DIFFERENCE TO YOUR BUSINESS.

High performance.

1 You'll find our unique machine offers you superior operating speed, load carrying capacity, turning radius and transfer speed. Added up, it could be worth several working days a year - now that's cost-effective productivity.

2 By mating powerful engines to CVT transmissions, we bring you huge performance at any application speed. Not to mention a top speed of up to 70km/h.

3 The auxiliary hydraulics are powered by high flow pumps, delivering up to 178 l/min in the 8000 series and 148 l/min in the 4000 series.

4 Whichever Fastrac you choose, you benefit from improved geometry and great lift capacity from the rear three-point linkage system (8,000kg on the 4000 Series, 10,000kg on the 8000 Series). There's also the option of a front linkage, with an extra 3,500kg lift capacity.



1



2



3



4

More capacity, more output.

5 The new Fastrac 4000 Series can carry loads more - literally. It has a maximum gross vehicle weight of up to 14 tonnes (territory/configuration dependent), and you can mount up to 4,000kg on its rear deck.

6 We've equipped all our Fastracs with proven and efficient AGCO Power engines. In the 4000 Series, a 6.6-litre unit provides up to 235hp and 950Nm of torque; in the 8000 Series, an 8.4-litre unit produces up to 348hp and 1440Nm.

7 Maximum power is delivered through the PTOs, with up to 195hp on the 4000 Series, and 310hp on the 8000 Series.

8 Huge fuel tanks (390 litres on the 4000 Series, 600 litres on the 8000 Series) mean you'll spend less time heading back to the yard, and more time working.



7



5



6



8

ULTIMATE COMFORT.

THE ONLY TRACTOR WITH ALL-ROUND SUSPENSION. IT'S JUST ONE MORE UNIQUE FEATURE THAT MAKES THIS TRACTOR DIFFERENT FROM THE REST.



Driver appeal.

1 Fastrac's mid-mounted cab position and all round suspension ensure a ride comfort that's second to none. You won't believe how smooth a Fastrac is until you get behind the wheel.

2 The latest JCB Command Plus cab is spacious, ergonomic and practical, you can expect a 10% larger operator area than even the leading competitor's cab, as well as a full-size instructor seat. So both driver and instructor can enjoy total safety and comfort.

3 For maximum comfort and support you can choose from a wide range of air suspension driver's seats, including heated leather and high-back options.

4 There's an electric coolbox for your food and drinks under the instructor's seat; the folding seat back also forms a handy flat table for lunch.



Everything to hand.

5 Our Command Plus cab gives you an elevated driving position, 6.6m² of cabin glass and wide angle mirrors for unrivalled all-round visibility.

6 Automatic climate control maintains the perfect temperature and quickly de-mists the windows on early mornings. Opening rear three-quarter windows add natural ventilation and a fixed roof window option floods the cab with light.

7 A large seat-mounted padded armrest incorporates the joystick and most frequently used control switches, whilst other switches are neatly arranged within easy reach on the right hand cab pillar.

8 The driver's seat can rotate 50° right and 20° left - so keeping an eye on rear mounted or trailed equipment need not be a pain in the neck.



SPEED WITH SAFETY.

FASTRAC IS THE FASTEST PRODUCTION TRACTOR IN THE WORLD. THAT LEVEL OF PERFORMANCE CALLS FOR INCREDIBLY HIGH LEVELS OF SAFETY. SO WE'VE USED CUTTING EDGE TECHNOLOGY TO MAKE FASTRAC THE SAFEST ON THE MARKET.

Safety first.

1 Large diameter external disc brakes on all four wheels use powerful callipers and air-over hydraulic operation to meet EU truck standards. Fastrac's braking system offers up to 35% less brake fade than conventional tractors.

2 JCB's advanced anti-lock braking system (ABS) provides optimum stopping power whilst maintaining stability and steering in all conditions, on or off-road. We fit a trailer ABS connection as standard too.

3 Our completely bespoke chassis and suspension with anti-roll bars front and rear bring superior handling and stability during high-speed travel.

4 The Fastrac's fail safe set-up ensures the brakes are applied in the event of a loss of pressure. A transmission disc park brake holds the tractor securely and applies air brakes on trailed equipment.

5 Uniquely, we offer a road performance package with traction control and hill-hold features.



Fastrac 4000 Series.

6 50:50 weight distribution and equal wheel diameters offer exceptional handling.

7 Advanced double-acting hydraulic suspension front and rear makes for unparalleled stability and comfort. It also enables manual adjustment of ride height and suspension stiffness.

Our truck standard braking system with ABS allows you to travel safely on roads up to 60km/h.

Fastrac 8000 Series.

8 A top speed of 70 km/h is made safe by advanced steering and braking systems, and full suspension.

9 JCB's innovative new hydrostatic dual steering system minimises operator effort whilst meeting the exacting safety standards for high speed tractors (>37mph/60kph).

Coil spring and damper suspension on the front axle and single acting hydraulic suspension on the rear axle offer great comfort and stability on any surface.



HIGHLY MANOEUVRABLE.

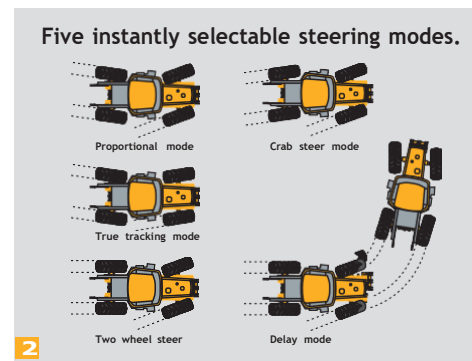
WE'VE NOW MADE FASTRAC MORE MANOEUVRABLE THAN EVER; UNIQUE SELECTABLE FOUR-WHEEL STEERING HELPS THE FASTRAC 4000 SERIES RUN RINGS ROUND THE COMPETITION.

Powerfully agile.

1 With a compact narrow chassis turns are tighter than ever on a 4000 Series Fastrac. There's also perfect 50/50 weight distribution and a wide choice of wheel and tyre sizes.

2 The 4000 Series can achieve a remarkable turning circle of just 9.8m (tyre dependent). It features four-wheel steering with five modes as standard. These are controlled via a three-position switch; this offers rapid changes between 2WS, 4WS and a fully user-programmable setting.

3 Choose our new Rapid Steer option to make tight turns even quicker and easier on the arms. This feature reduces lock-to-lock turns by 50%, and can be programmed to engage and disengage at whatever speed you prefer.



EFFORTLESS PRECISION.

A FASTRAC OFFERS BIG PERFORMANCE THAT YOU CAN REALLY USE. WE'VE DESIGNED THESE MACHINES TO BE INTUITIVE AND REFINED FOR PINPOINT CONTROL.

Easy does it.

1 Visibility can be a problem in big vehicles but with their centrally mounted Command Plus cab, fantastic driving position and wide angle mirror as standard, the Fastrac range bucks the trend.

2 Full suspension maintains operator comfort and machine stability independent of speed and ground conditions. This means that delicate control of attachment position can always be achieved.

3 All Fastracs now come with proven CVT transmission as standard. Seamless acceleration from 0-70kph and pin point control of both speed and engine revs mean precise work can be completed with ease.



HIGHWAYS AND UTILITIES.

WITH BRILLIANT ATTACHMENT VERSATILITY AND HIGH ROAD SPEEDS, FASTRACS HELP YOU MAXIMISE PRODUCTIVITY THROUGH EVERY SEASON.

Year-round performance.

1 You can mount attachments in multiple locations, both front and rear. Become the master of all seasons, from summertime verge and hedge cutting, to wintertime snow ploughing and gritting.

2 Fastrac's class-leading road speed saves you time and money. Quick travel and response speeds mean you spend less time going between jobs.

3 Our CVT transmissions with intelligent cruise control functions offer seamless acceleration and power delivery, helping you get the most from your Fastrac's power and torque. Select the ideal transmission mode for each job and enjoy ultra-fine control with any implement.

4 When it comes to highway safety and legislation, we've got you covered: disc brakes and ABS are standard, there is a wide range of specially designed safety options, and you can specify orange bodywork.



WINTER MAINTENANCE.

FASTRAC KEEPS YOU AND OTHERS MOVING IN EVEN THE HARSHTEST WINTER CONDITIONS.

Plough through winter.

1 With up to six positions for mounting attachments, you can enjoy unrivalled versatility and productivity with configurations such as a snow plough and rear deck mounted salt spreader.

2 Fastrac comes with a choice of chassis or front linkage mounted DIN plates, providing a stable mounting for snow ploughs and other attachments. Full output PTO drives and high flow hydraulic services provide ample power.

3 To tackle the elements straight away, opt for our engine block and transmission heater, heated front and rear screens, and heated mirrors.

4 Traction is critical in winter, so we've designed Fastracs to offer exceptional four-wheel-drive grip, even in slippery conditions. To take things even further, choose snow tyres and optional traction control.



FORESTRY.

THE FASTRAC RANGE HAS THE POWER AND CONTROL YOU NEED IN THE FOREST AND THE SPEED YOU NEED ON THE ROAD.

Performance where it matters.

1 You can choose from up to four hydraulic spools at the front and five at the rear, giving you the versatility and power to take on anything.

2 A compact chassis and four-wheel steering makes the Fastrac 4000 Series the world's most manoeuvrable tractor; ideal on tight forest tracks and in yards.

3 The centrally mounted Command Plus cab with its huge glass area provides a comfortable operating environment and excellent visibility in all directions. Choose our FOPS cab option for added protection.

4 JCB 8000 Series Fastrac has a multi-speed rear PTO with a true maximum output of 310hp. An electro-hydraulic soft engage provides smooth start-up - perfect for large wood chippers.



CONSTRUCTION.

FASTRAC COMBINES SPEED, CAPACITY AND SAFETY TO DELIVER ALL-ROUND PERFORMANCE TO ANY SITE.

Maximum productivity, minimum effort.

1 High capacity haulage, unbeatable off-road ability and truck standard braking - with Fastrac, you don't need to compromise.

2 Like on any site, safety is our top consideration. Our centrally mounted Command Plus cab, with its 6.6m² glass area, affords unparalleled 360° visibility, making it easy to spot obstacles and pedestrians.

3 You can travel at up to 70 km/h in a Fastrac, reducing the time it takes to haul trailers or tankers between sites. A tachometer-ready rear axle comes as standard.

4 The Fastrac 4000 Series comes ready for a front end loader with predrilled mounting points as standard. Our optional loader package makes it the perfect tractor for loader work, with advanced suspension, power beyond connection and a roof window.



AIRPORTS.

WHATEVER THE JOB,
WHATEVER THE WEATHER,
FASTRAC PROMISES SKY-
HIGH STANDARDS OF
PRODUCTIVITY AND SAFETY
ALL YEAR ROUND.

Performance takes off.

- 1 With up to 348hp and 178 l/min of auxiliary hydraulic flow, Fastrac can power a wide range of summer and winter attachments - from mowers and brushes to snow ploughs and de-icers.
- 2 Huge all-round disc brakes, full suspension, ABS and great transmission controllability make JCB Fastracs quite simply the world's safest tractors.
- 3 The new Fastrac range is simpler to operate than ever before. Our CVT transmissions feature foot-pedal only driving, auto cruise controls and selectable manual modes, making precise operation easy at speeds from 0 to 70km/h.
- 4 Fully independent suspension and large diameter tyres coupled with heavy duty 4WD means Fastracs continue to perform where other vehicles are left behind.



A PROUD HERITAGE.

Experience makes the difference.

We celebrated our 25th Anniversary of Fastrac production in 2017 by building 25 special edition 4000 Series tractors.

Since we started in 1991, our tractors have remained at the cutting edge of tractor design. Although today's Fastracs are very different from their predecessors, the blueprint is still the same: a unique combination of features delivering unrivalled speed, safety, comfort, productivity and versatility.

There has never been a better time to buy a Fastrac. We have two ranges covering 160hp to 335hp (119kW to 250kW), so there's a model to suit any requirement.



LESS SERVICING, MORE SERVICE.

THE FASTRAC 4000 AND 8000 SERIES ARE DESIGNED TO OFFER YOU MAXIMUM UPTIME. WHEN ROUTINE MAINTENANCE NEEDS TO BE DONE, YOU'LL FIND IT REFRESHINGLY STRAIGHTFORWARD.

Care and attention.

1 It's easy to look after your Fastrac and thus ensure a long and reliable working life. For example, the high-lift bonnet and fold-out cooling pack make service access fast, for simplified cleaning of the cooling system.



2 Check oil levels without lifting the bonnet, and top up fuel, DEF and hydraulic oil from the same side.



3 The side pannier provides you with easy access to the batteries, battery isolator and brake fluid reservoirs.

4 External disc brake assemblies front and rear are simple, quick and inexpensive to renew.

5 JCB dealer service contracts and JCB PremierCover extended warranties are available for the ultimate in cost control and peace of mind.



LIVELINK, WORK SMARTER.

JCB LIVELINK IS AN INNOVATIVE SOFTWARE SYSTEM THAT LETS YOU MONITOR AND MANAGE YOUR MACHINES REMOTELY - ONLINE, BY EMAIL OR BY MOBILE PHONE.

Productivity and cost benefits - Machine location information can improve fleet efficiency and you may even enjoy reduced insurance costs courtesy of the added security that LiveLink brings.

** Note: Please consult your local dealer for Livelink availability*



Maintenance benefits - Accurate hours monitoring, maintenance history records, critical machine alerts and service alerts improve maintenance planning.

Security benefits - Real-time geofencing lets you set operating zones and curfew alerts that tell you when your machinery outside of pre-determined times. Location information helps you store machines safely.

VALUE ADDED.

JCB'S WORLDWIDE CUSTOMER SUPPORT IS FIRST CLASS. WHATEVER YOU NEED AND WHEREVER YOU ARE, WE'LL BE AVAILABLE QUICKLY AND EFFICIENTLY TO HELP MAKE SURE YOUR MACHINERY IS PERFORMING TO ITS FULL POTENTIAL.



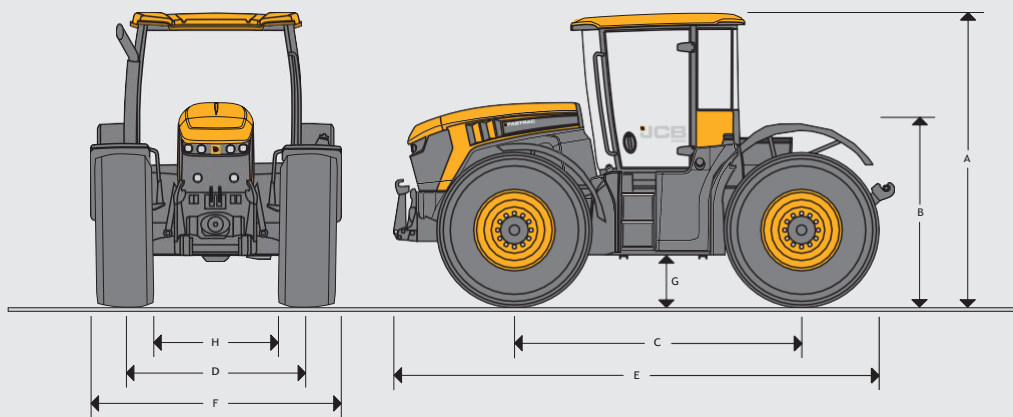
1 Our Technical Support Service provides instant access to factory expertise, day or night, while our Finance and Insurance teams are always on hand to provide fast, flexible, competitive quotes.

JCB Assetcare offers comprehensive extended warranties and service agreements, as well as service-only or repair and maintenance contracts. Irrespective of what you opt for, our Maintenance teams around the world charge competitive labour rates, and offer non-obligation quotations as well as fast, efficient insurance repair work.



2 The global network of JCB Parts Centres is another model of efficiency; with 16 regional bases, we can deliver around 95% of all parts anywhere in the world within 24 hours. Our genuine JCB parts are designed to work in perfect harmony with your machine for optimum performance and productivity.

STATIC DIMENSIONS 4160, 4190, 4220



Tyres		540/65 R34
A	Height over cab	m 3.00
B	Height to deck	m 1.67
C	Wheelbase	m 2.98
D	Track width	m 1.83 / 2.02 standard 1.93 / 1.78 reversed
E	Overall length	m 5.40
F	Overall width	m 2.55
G	Ground clearance	m 0.45
H	Width between tyres	m 1.47

ENGINE

Model		4160	4190	4220
Rated power 97/68 EC	hp (kW)	160 (119)	189 (141)	217 (162)
Max. power 97/68 EC	hp (kW)	175 (130)	208 (155)	235 (175)
Max. torque @ 1450 rpm	Nm	750	850	950
Make		AGCO Power		
Model		66AWF		
Injection		Bosch CP4 common rail		
No. of cylinders		6		
Capacity	ltr	6.6		
Bore	mm	108		
Stroke	mm	120		
Cooling		Water		
Air cleaner		Powercore dry element		
Aspiration		Turbocharged and intercooled		

SUSPENSION

Front and rear: Hydro-pneumatic self levelling. 45mm single-acting standard. 55mm double-acting option.

ELECTRICAL SYSTEM

System voltage	Volt	12
Alternator output	Amp	200
Battery capacity	Amp hour	2 x 110

CAPACITIES

Fuel tank	litres	390
Hydraulic tank	litres	130
Urea tank	litres	45

HYDRAULICS

Rear 3 point linkage control	Electronic raise/lower with depth, draft/position intermix, rate of drop and maximum lift height control plus external lift and lower.
Rear 3 point linkage type	Category III; Quick attach hook ends, eye end top link.
Rear 3 point linkage capacity	6000kgs, 7000kgs or 8000 kgs options available.
Front 3 point linkage (optional) control	Electronic raise/lower with depth, rate of drop and maximum lift height control plus external lift and lower.
Front 3 point linkage (optional) type	Category II; Quick attach hook ends, folding arm.
Front 3 point linkage (optional) capacity	3500kg

AUXILIARY HYDRAULICS

Max. oil flow @ 2100rpm rated speed	l/min	148
Flow per slice	l/min	100
Operating pressure	bar	210
Spool valves	Up to 6 double acting valves with flow and time control, constant pumping and float position.	
Standard (Agricultural version)	3 rear spools with rear free flow return,	
Optional (Agricultural version)	3, 4 or 5 rear spools, 0, 1 or 2 front spools, Front free flow return, Load sensing hydraulic connection (power beyond), Priority flow control (green spool).	
Standard (Utility version)	2 front and 3 rear spools with rear free flow return.	
Optional (Utility version)	2 or 3 rear spool valves. 2, 3 or 4 front spool valves, Front free flow return, Load sensing hydraulic connection (power beyond), Priority flow control (green spool).	
Couplers	Deluxe quick release (release under pressure type).	

POWER TAKE OFF

Rear PTO type	4 speed PTO with electro-hydraulic soft engage and electro-hydraulic speed shift.			
Rear PTO speeds	540 / 1000 / 540E / 1000E.			
Rear PTO output spline	6 or 21 spline 1 ³ / ₈ " diameter (standard), 6 or 20 spline 1 ³ / ₄ " diameter (options).			
Front PTO type (optional)	1000 rpm with electro-hydraulic soft engage. Centre output or offset output (Utility).			
Front PTO speed	1000 rpm @ 1900 engine rpm.			
Front PTO output spline	6 spline 1 ³ / ₈ " or 1 ³ / ₄ " (Utility) diameter.			
Model	4160	4190	4220	
PTO power	hp (kW)	140 (103)	169 (124)	195 (145)

AXLES	
Type	Beam with outboard epicyclic reduction hubs.
Wheel mountings	10 stud front axle, 10 stud rear axle.
Four wheel drive engagement	Electrohydraulic.
Differentials	Rear: electro-hydraulic soft engage. Front: No-spin or Maxtrac (automatic engagement).

STEERING	
Type	Standard: Hydrostatic steering, fixed ratio. Optional: Hydrostatic steering, GPS ready with RapidSteer.
Four wheel steer system	Advanced speed sensitive 4WS with multiple operation modes and auto controls.
Minimum 4WS turning circle	9.8m (540/65 R30).

BRAKES	
Type	4160: Outboard disc brakes, single caliper standard, twin caliper option. 4190/4220: Outboard disc brakes, twin caliper standard.
Operation	Air over hydraulic to EEC truck specification. ABS available in all territories as either standard fitment or option. Hillhold function optional on ABS tractors comes with traction control.
Trailer brakes	Standard twin line air trailer brakes. Territory specific single line hydraulic or single line air trailer brakes. Air trailer brake automatically applied by tractor park brake. ABS option includes 12V trailer ABS supply socket as standard.

TRANSMISSION	
Type	2 range continuously variable transmission with 6 modes of operation.
Speeds	Low range: 0-30kph. High range 0-60kph

VEHICLE WEIGHTS					
		Front axle	Rear axle	Total	
Base machine	kg	3845	3730	7575	
+ 600/70 R30, front link and front PTO	kg	4440	3900	8340	
Maximum permissible vehicle weight	kg	Single caliper brakes: 9 tonnes. Twin caliper brakes: 13/14 tonnes (tyre dependent).			

WHEELS AND TYRES			
	Size	Track width standard mm	Track width reversed mm
Agricultural pattern	540/65 R30	1930 / 2015	1830 / 1780
Agricultural pattern	540/65 R34	1830 / 2015	1930 / 1780
Agricultural pattern	600/70 R30	1830	1930
Agricultural pattern	710/60 R30	2000	-
Utility pattern	500/70 R24	1785	2015
Utility pattern	440/80 R30	1830	1930
Utility pattern	540/65 R30	1830	1930

Front directional and rear fixed fenders. All tyres are speed rated for 65kph.

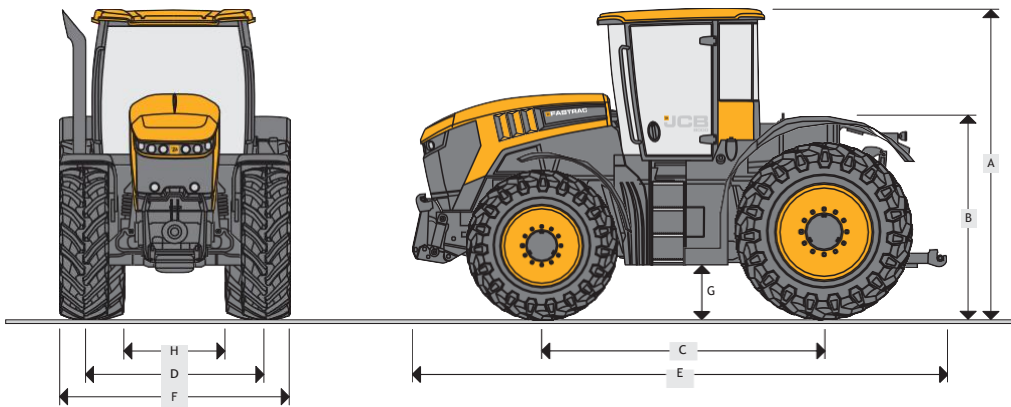
CAB	Standard equipment includes: Fully automatic climate control, Air suspension seat with armrest mounted transmission and auxiliary controls, Colour touch screen display, providing transmission information and setup capability, Electronic spool valves, Category 2 filtration, Front and rear wash wipe, Front sunblind, Full road lighting equipment, Auxiliary electrical and speed sensor sockets, Full size passenger seat, Lap belt for driver and passenger, Side console illumination, Slimline backlit dashboard, Storage compartment, Radio preparation with single DIN slot and four speakers. Cable access through rear window, Rear fender mounted raise/lower and PTO switches.
-----	--

OPTIONAL EQUIPMENT	Depending on model and territory: 850kg front weight, 1000kg rear deck weight, 20 spline 1 1 ³ / ₄ PTO shaft, 6 spline 1 1 ³ / ₄ PTO shaft, Headland Turn Assist with radar and performance monitor, Deluxe seating options, Heated front and rear screens, Electric heated mirrors with additional wide angle lens, Auxiliary audio input, Halogen and LED worklights options, LED road lights, External rear fender control buttons, 7 pin front power socket, 3 pin front power socket, Interior rear view mirror, Automatic rear linkage stabilisers, Hookend/hydraulic top link, Electric cool box, Rear hitch camera, Roof window, Rear window blind, Rear deck sub-mounting frame, Rear deck 110mm ball hitch.
--------------------	--

4000 SERIES INDUSTRIAL OPTIONS SUMMARY

- Utility front chassis with 200mm of height adjustable DIN mounting
- Offset front PTO
- Type B / 3, F1-C / 5 (utility chassis mounted) and front linkage mounted DIN plates
- Front mounted 7 pin (lighting) and 3 pin (power supply) sockets
- Front axle Stability Control System
- Agricultural and utility rear deck frames
- 24" wheels
- Industrial/winter Nokian tyres
- Orange body panels

STATIC DIMENSIONS 8290, 8330



Tyres	540/65 R34 + 710/70 R38	
A Height over cab	m	3.45
B Height over deck	m	2.06
C Wheelbase	m	3.13
D Track width	m	2.03
E Overall length	m	5.65
F Overall width	m	2.55
G Ground clearance	m	0.60
H Width between tyres	m	1.1

ENGINE

		8290	8330
Model		8290	8330
Rated power 97/68 EC	hp (kW)	280 (209)	335 (250)
Max. power 97/68 EC	hp (kW)	306 (228)	348 (260)
Max. torque @ 1500rpm	Nm	1310	1440
Make	AGCO Power		
Model	84AWF		
Injection	Bosch CP4 common rail		
No. of cylinders	6		
Capacity	cc	8419	
Bore	mm	111	
Stroke	mm	145	
Cooling	Water		
Air cleaner	Powercore dry element		
Aspiration	Turbocharged and intercooled		

SUSPENSION

Front: Coil spring and damper.

Rear: 45mm single-acting standard.

ELECTRICAL SYSTEM

System voltage	Volt	12
Alternator output	Amp	200
Battery capacity	Amp hour	2 x 110 (2 x 950 cca)

CAPACITIES

Fuel tank	litres	600
Hydraulic tank	litres	150
Urea tank	litres	60

HYDRAULICS

Rear 3 point linkage control	Electronic raise/lower with depth, draft/position intermix, rate of drop and maximum lift height control plus external lift and lower.	
Rear 3 point linkage type	Category III; Quick attach hook ends, eye end top link.	
Rear 3 point linkage capacity	10000kg	
Front 3 point linkage (optional) control	Electronic raise/lower with depth, rate of drop and maximum lift height control plus external lift and lower	
Front 3 point linkage (optional) type	Category II; Quick attach hook ends, folding arm.	
Front 3 point linkage (optional) capacity	3500kg	

AUXILIARY HYDRAULICS

		Standard	Optional
Max. oil flow @ rated speed	l/min	137	178
Flow per slice	l/min	100	140
Operating pressure	bar	210	210
Spool valves	Electronic 7 position double acting with flow and time control, float position and zero leak		
Standard (Agricultural version)	3 spool valves to the rear		
Optional (Agricultural version)	4 spool valves to the rear, load sensing hydraulic connection, 1 or 2 front supplies, front free flow return		
Couplers	Quick release/spill-off piped to reservoir (front and rear)		

POWER TAKE OFF

Rear PTO type	Fully independent to front and rear (front optional)		
Actuation	Electro-hydraulic		
Rear PTO speeds	540rpm @1570 engine rpm, 1000rpm @ 1930 engine rpm		
Rear PTO output spline	21 spline 1" ³ / ₈ diameter + 20 spline 1" ³ / ₄		
Rear PTO type (optional)	6 spline 1 ³ / ₄ " diameter (optional)		
Front PTO speed	1000rpm @ 2030 engine rpm (optional)		
Front PTO output spline	6 spline 1 ³ / ₈ " diameter (optional)		
Model	8290	8330	
PTO power	hp (kW)	272 (203)	310 (231)

AXLES	
Type	Beam with outboard epicyclic reduction hubs.
Wheel mountings	10 stud front axle, 16 stud rear axle.
Four wheel drive engagement	Four wheel drive engagement Electrohydraulic.
Differentials	Differential lock: front and rear electro-hydraulics soft engage.

STEERING	
Type	Standard: Hydrostatic dual steering system, fixed ratio. Optional: Hydrostatic dual steering system, GPS ready with Rapid Steer.
Column	Tilt and telescope adjustable

BRAKES	
Type	Outboard discs with twin calipers and ABS on all four wheels.
Operation	Air over hydraulic to EEC truck specification.
Park brakes	Independent disc on transmission output
Actuation	Sprung on, air pressure off
Trailer brakes	Twin line air brakes, single line hydraulic brakes automatically applied by tractor park break, ABS 12v trailer supply socket as standard

TRANSMISSION	
Type	2 range continuously variable transmission with 6 modes of operation.
Speeds (low)	0-40kph
Speeds (high)	0-70 kph

VEHICLE WEIGHTS					
		Front axle	Rear axle	Total	
Base machine less front linkage & FPTO	kg	5766	5323	11090	
+540/65 R38 front + 710/70 R38 rear, front linkage & FPTO	kg	6310	5485	11796	
Maximum permissible vehicle weight	kg	16000			

WHEELS AND TYRES		
	Size	Track width standard mm (in)
Agricultural pattern	540/65R38 + 650/75/R38	1990 (78) + 1834 (72)
Agricultural pattern	540/65R38 + 710/70R38	1990 (78) + 1834 (72)
Agricultural pattern	600/70R34 + 710/70R38	2000 (79) + 2000 (79)
Utility pattern	440/80R34 + 650/65R38	1990 (78) + 1900 (74.8)
Agricultural pattern (Territory dependent)	650/65R34 + 900/50 R42	2208 (87) + 2016 (80)

Front directional and rear fixed fenders. All tyres are speed rated for 65kph or 70kph.

CAB	Standard equipment includes: Fully automatic climate control, Air suspension seat with armrest mounted transmission and auxiliary controls, Colour touch screen display, providing transmission information and setup capability, Electronic spool valves, Category 2 filtration, Front and rear wash wipe, Front sunblind, Full road lighting equipment, Auxiliary electrical and speed sensor sockets, Full size passenger seat, Lap belt for driver and passenger, Slim line backlit dashboard, Storage compartment, Radio preparation with single DIN slot and four speakers. Cable access through rear window, Rear fender mounted raise/lower and PTO switches.
OPTIONAL EQUIPMENT	Depending on model and territory: 850kg front weight, 700/900kg rear deck weight, 6 spline 1 1 ³ / ₄ PTO shaft, Headland Turn Assist with radar and performance monitor, Deluxe seating options, Heated front and rear screens, Electric heated mirrors with additional wide angle lens, Auxiliary audio input, Halogen and LED worklights options, External rear fender control buttons, 7 pin front power socket, 3 pin front power socket, Interior rear view mirror, Automatic rear linkage stabilisers, Hookend/hydraulic top link, Electric cool box, Rear hitch camera, Roof window, Rear window blind.



A FASTRAC SOLUTION FOR EVERY APPLICATION.

Your nearest JCB dealer

AGRARTREND, s.r.o.

Komárňanská cesta 10844
940 01 Nové Zámky

Mobil: +421 917 226 224

E-mail: pm@agrartrend.eu

FASTRAC | INDUSTRIAL TRACTORS

JCB Agriculture, Rocester, Staffordshire ST14 5JP.

Tel: +44 (0)1889 590312 Email: salesinfo@jcb.com

Download the very latest information on this product range at: www.jcb.com

[f facebook.com/JCBAg](https://www.facebook.com/JCBAg)
[@JCBAgriculture](https://twitter.com/JCBAgriculture)
[y youtube.com/JCBAgriculture](https://www.youtube.com/JCBAgriculture)

©2014 JCB Sales. All rights reserved. No part of this publication may be reproduced, stored in a retrieval system, or transmitted in any form or by any other means, electronic, mechanical, photocopying or otherwise, without prior permission from JCB Sales. All references in this publication to operating weights, sizes, capacities and other performance measurements are provided for guidance only and may vary dependant upon the exact specification of machine. They should not therefore be relied upon in relation to suitability for a particular application. Guidance and advice should always be sought from your JCB Dealer. JCB reserves the right to change specifications without notice. Illustrations and specifications shown may include optional equipment and accessories. All images are correct at time of print. The JCB logo is a registered trademark of J C Bamford Excavators Ltd.

