

JCB Attachments

completing the solution



AGRARTREND, s.r.o.

Komárňanská cesta 10844
940 01 Nové Zámky
Mobil: +421 917 226 244
Email: pm@agrartrend.eu



JCB Sales Limited, Rocester, Staffordshire, United Kingdom ST14 5JP

Tel: +44 (0)1889 590312 Email: salesinfo@jcb.com

Download the very latest information on this product range at: www.jcb.com

JCB reserves the right to change specifications without notice. Illustrations shown may include optional equipment and accessories.
The JCB logo is a registered trademark of J C Bamford Excavators Ltd. 9999/5805 en-GB 05/19 Issue 8

Agricultural Attachments Guide

www.jcb.com



Maximum Performance, Maximum Efficiency

Here at JCB, we understand that an attachment should be able to make the most of all the performance and productivity that we build into our machines. No mean feat, but then the latest JCB agricultural attachments are no ordinary tools.

This latest range takes full advantage of cutting edge innovation and technology to offer you ultimate efficiency and usability. Our attachments are designed with valuable input from farmers all over the world, so you can rest assured that whichever one you choose, it will meet your needs right down to the finest details.

Product Names Explanation

GS-3-QF-63-W

Example: Grain shovel-3m³-Q-Fit-6ft3in-Weld on toe plate

Please note: imperial measurements are approximately to the nearest quarter ft

Key

CTC - COMPACT TOOL CARRIER PICKUP

TC - TOOL CARRIER PICKUP

QF - Q-Fit PICKUP

PC - PIN & CONE PICKUP

PCC - PIN & CONE COMPACT

M - MANITOU PICKUP

E - EURO PICKUP

I - INDUSTRIAL (VOLVO) PICKUP

IQF - INDUSTRIAL Q-Fit PICKUP

Z - ZETTMAYER PICKUP

W - WIEDEMANN PICKUP

S - SCHAFFER PICKUP

G - GIANT PICKUP

NB - NO BRACKETS

U - UNIVERSAL

W - WELD ON

B - BOLT ON

A - AG

SG - SPILL GUARD

T - OPTIONAL TOEPALE

C - CONSTRUCTION

F - FORGED TINES

S - STANDARD TINES

H - HARDOX TINES

KV - KVERNELAND TINES

Contents

| | |
|--|-------|
| Grain Shovels | 04-07 |
| General Purpose Shovels..... | 08-09 |
| 6-in-1 Shovels | 10 |
| Bucket Brush/Bucket Brush Ready Shovels | 11 |
| Bag Filler Shovels/High Tip Shovels | 12 |
| Power Grabs..... | 13-15 |
| Muck Forks with Top Grab..... | 16-17 |
| Grass Forks..... | 18-19 |
| Fork Positioners..... | 20 |
| Forks | 21-23 |
| Multi Shovels | 24-25 |
| Bale Handling | 26-29 |
| Shear Grab | 30-31 |
| Grain Pusher | 32 |
| Weld on Brackets, Bolt on Brackets & Headstocks..... | 33 |
| Light Equipment..... | 34-41 |
| Compact Excavator Range | 42-51 |
| Skid Steer Range | 52-62 |
| Material Weights..... | 63 |



Grain Shovels

The all-new range of JCB agri grain shovels are manufactured using domex 700mc steel for a 17% strength improvement. What's more, there's now anti-corrosion paint and the option of adding a versatility-boosting bucket brush. The general purpose range of shovels can also have the bucket brush fitted.

- Manufactured using Domex 700MC high tensile, lower weight steel which is 17% stronger than Domex 500
- Pressed and tapered side plates for greater material penetration and improved rigidity and tear out
- Improved geometry enabling greater tear out force with increased material retention
- Rounded edge to prevent damage to crops
- Bolt on blades options offering extended life are available



Grain Shovels

| Part number | Fitted with toeplate | Carriage pick up | Width (mm) | Capacity (m ³) | Weight (kg) | Maximum machine capacity (kg) |
|-------------|----------------------|----------------------|------------|----------------------------|-------------|-------------------------------|
| 980/A9989 | Weld on | Compact Tool Carrier | 1850 | 1.2 | 376 | 2000 |
| 980/A9991 | Weld on | Compact Tool Carrier | 2000 | 1.3 | 393 | 2000 |
| 980/A9971 | Weld on | Compact Tool Carrier | 2150 | 1.4 | 410 | 2000 |
| 980/A9997 | Weld on | Tool Carrier | 2300 | 1.5 | 435 | 2250 |
| 980/A9994 | Weld on | Tool Carrier | 2150 | 1.6 | 442 | 2250 |
| 980/A9999 | Weld on | Tool Carrier | 2300 | 1.7 | 461 | 2250 |
| 980/A9953 | Weld on | Tool Carrier | 2300 | 2 | 496 | 2750 |
| 980/A9929 | Bolt on | Tool Carrier | 2300 | 1.5 | 482 | 2250 |
| 980/B0133 | Bolt on | Tool Carrier | 2150 | 1.6 | 486 | 2250 |
| 980/B0134 | Bolt on | Tool Carrier | 2300 | 1.7 | 509 | 2500 |
| 980/A9927 | Bolt on | Tool Carrier | 2300 | 2 | 543 | 2750 |
| 980/A9998 | Bolt on | Q-Fit | 2300 | 1.2 | 425 | 1750 |
| 980/A9946 | Weld on | Q-Fit | 2000 | 1.3 | 399 | 2000 |
| 980/A8954 | Weld on | Q-Fit | 2150 | 1.4 | 416 | 2000 |
| 980/A9982 | Weld on | Q-Fit | 2300 | 1.5 | 433 | 2250 |
| 980/A9975 | Weld on | Q-Fit | 2450 | 1.6 | 450 | 2250 |
| 980/A9931 | Bolt on | Q-Fit | 2300 | 1.5 | 480 | 2250 |
| 980/A9935 | Bolt on | Q-Fit | 2450 | 1.6 | 500 | 2250 |
| 980/A9993 | Weld on | Q-Fit | 2150 | 1.6 | 441 | 2250 |
| 980/A9983 | Weld on | Q-Fit | 2300 | 1.7 | 460 | 2250 |
| 980/B0104 | Weld on | Q-Fit | 2450 | 1.8 | 479 | 2500 |
| 980/A9932 | Bolt on | Q-Fit | 2300 | 1.7 | 508 | 2500 |
| 980/A9984 | Weld on | Q-Fit | 2300 | 2 | 495 | 2750 |
| 980/A9986 | Weld on | Q-Fit | 2450 | 2.1 | 515 | 2750 |
| 980/A8045-- | Weld on | Q-Fit | 2450 | 2.1 | 504 | 2750 |
| 980/A9933 | Bolt on | Q-Fit | 2300 | 1.8 | 542 | 2750 |
| 980/A9936 | Bolt on | Q-Fit | 2450 | 2.1 | 566 | 2750 |
| 980/A9985 | Weld on | Q-Fit | 2300 | 2.3 | 564 | 3000 |
| 980/A9973 | Weld on | Q-Fit | 2450 | 2.5 | 586 | 3250 |
| 980/A9950-- | Weld on | Q-Fit | 2450 | 2.5 | 566 | 3000 |
| 980/A9934 | Bolt on | Q-Fit | 2300 | 2.3 | 630 | 3000 |
| 980/A9937 | Bolt on | Q-Fit | 2450 | 2.5 | 656 | 3250 |
| 980/A9979+ | Bolt on | Q-Fit | 2450 | 2.3 | 652 | 3250 |
| 980/A9951-- | Weld on | Q-Fit | 2450 | 2.6 | 587 | 3250 |
| 980/A9987 | Weld on | Q-Fit | 2450 | 2.6 | 607 | 3250 |
| 980/A9938 | Bolt on | Q-Fit | 2450 | 2.6 | 677 | 3500 |
| 980/A9952-- | Weld on | Q-Fit | 2450 | 3 | 620 | 3500 |
| 980/A9988 | Weld on | Q-Fit | 2450 | 3 | 641 | 3500 |
| 980/A9944 | Weld on | Q-Fit | 2600 | 3.2 | 667 | 4000 |
| 980/A9924 | Bolt on | Q-Fit | 2450 | 3 | 711 | 3750 |
| 980/A9980+ | Bolt on | Q-Fit | 2450 | 3 | 707 | 3500 |
| 980/A9925 | Bolt on | Q-Fit | 2600 | 3.2 | 741 | 4100 |
| 980/A9981+ | Bolt on | Q-Fit | 2450 | 4.4 | 983 | 4250 |
| 980/A9945+ | Weld on | Q-Fit | 2600 | 4.6 | 1025 | 4100 |
| 980/A9956+ | Bolt on | Q-Fit | 2600 | 4.6 | 1118 | 5500 |
| 980/A9948+ | Bolt on | Q-Fit | 2750 | 5 | 1165 | 5500 |

Grain Shovels

| Part number | Fitted with toeplate | Carriage pick up | Width (mm) | Capacity (m ³) | Weight (kg) | Maximum machine capacity (kg) |
|-------------|----------------------|------------------|------------|----------------------------|-------------|-------------------------------|
| 980/A9990 | Weld on | Pin & Cone | 1850 | 1.2 | 380 | 2000 |
| 980/A9992 | Weld on | Pin & Cone | 2000 | 1.3 | 397 | 2000 |
| 980/A9972 | Weld on | Pin & Cone | 2300 | 1.5 | 432 | 2250 |
| 980/A9974 | Weld on | Pin & Cone | 2450 | 1.6 | 448 | 2250 |
| 980/A9027 | Bolt on | Pin & Cone | 2300 | 1.5 | 479 | 2250 |
| 980/A9954 | Weld on | Pin & Cone | 2300 | 1.7 | 458 | 2250 |
| 980/B0103 | Weld on | Pin & Cone | 2450 | 1.8 | 480 | 2500 |
| 980/A9995 | Weld on | Pin & Cone | 2300 | 2 | 493 | 2750 |
| 980/A9930 | Weld on | Pin & Cone | 2450 | 2.1 | 513 | 2750 |
| 980/A9928 | Bolt on | Pin & Cone | 2450 | 2.1 | 564 | 2750 |
| 980/A9996 | Weld on | Pin & Cone | 2300 | 2.3 | 552 | 3000 |
| 980/A9978 | Weld on | Pin & Cone | 2450 | 2.5 | 574 | 3250 |
| 980/A9921 | Bolt on | Pin & Cone | 2300 | 2.3 | 618 | 3000 |
| 980/B0101 | Bolt on | Pin & Cone | 2450 | 2.5 | 644 | 3250 |
| 980/A8956 | Weld on | Pin & Cone | 2450 | 2.6 | 593 | 3250 |
| 980/A9923 | Bolt on | Pin & Cone | 2450 | 2.6 | 664 | 3500 |
| 980/A8957 | Weld on | Pin & Cone | 2450 | 3 | 627 | 3500 |
| 980/A8269 | Bolt on | Pin & Cone | 2450 | 3 | 696 | 3500 |
| 980/B4948 | Bolt on | Pin & Cone | 2450 | 3.6 | 964 | 4100 |
| 980/A9958 | Bolt on | Manitou | 2300 | 1.5 | 484 | 2250 |
| 980/A9939 | Weld on | Manitou | 2300 | 1.5 | 437 | 2250 |
| 980/A9959 | Bolt on | Manitou | 2300 | 2 | 547 | 2750 |
| 980/A9940 | Weld on | Manitou | 2300 | 2 | 500 | 2500 |
| 980/A9960 | Bolt on | Manitou | 2300 | 2.3 | 626 | 3000 |
| 980/A9941 | Weld on | Manitou | 2300 | 2.3 | 560 | 3000 |
| 980/B0102 | Weld on | Manitou | 2450 | 2.5 | 582 | 3250 |
| 980/A9922 | Bolt on | Manitou | 2450 | 2.5 | 652 | 3500 |
| 980/A9961 | Bolt on | Manitou | 2450 | 2.6 | 673 | 3500 |
| 980/A9942 | Weld on | Manitou | 2450 | 2.6 | 603 | 3250 |
| 980/A9962 | Bolt on | Manitou | 2450 | 3 | 707 | 3750 |
| 980/A9943 | Weld on | Manitou | 2450 | 3 | 637 | 3500 |

All machine compatibility calculated based on JCB machine stability and capacity figures.

+ Specified for 550/560-80 machines.

-- Specified for 535-95 machines with extra 10° dump.

General Purpose Shovels

Our updated range of general purpose shovels are designed to tackle a wide range of tasks. Manufactured using high quality steel they are built to last even through the toughest of applications.

- High quality steel design
- Drilled toeplates to allow bolt on toeplates or teeth to be fitted
- Lightweight
- A range of sizes to suit all applications
- Designed for maximum durability and productivity



| Product name | Part number | Carriage pick up | Width (mm) | Capacity (m ³) | Weight (kg) | Machine models |
|---------------------|--------------|----------------------|------------|----------------------------|-------------|------------------------|
| GPS-0.5-CTC-53-C | 332/U5623 | Compact Tool Carrier | 1620 | 0.5 | 223 | 515-40 |
| GPS-0.9-CTC-60-W | 980/A9967 | Compact Tool Carrier | 1850 | 0.9 | 314 | 520-40, TM180 |
| GPS-0.7-CTC-50-C | 335/O6124 | Compact Tool Carrier | 1550 | 0.7 | 265 | 520-40 |
| GPS-0.7-CTC-66-C-WI | 514/O0800 | Compact Tool Carrier | 2020 | 0.7 | 324 | 524-50, 527-55, 527-58 |
| GPS-1.0-CTC-66-W | 980/A9969 | Compact Tool Carrier | 2000 | 1.0 | 331 | 520-40, 520-50, TM220 |
| GPS-1-CTC-69-C | 331/12483 | Compact Tool Carrier | 2050 | 1.0 | 311 | 524-50, 527-55, 527-58 |
| GPS-0.9-TC-70-C | 980/82100 | Tool Carrier | 2110 | 0.9 | 320 | 527-58 |
| GPS-1.1-TC-76-C-SG | 980/88130* | Tool Carrier | 2300 | 1.1 | 330 | 526-56 |
| GPS-0.9-QF-69-C | 332/G2297 | Q-Fit | 2050 | 0.9 | 357 | 527-58 |
| GPS-1-QF-76-C | 980/A5063 | Q-Fit | 2286 | 1.0 | 390 | 526-56 up |
| GPS-1-QF-73-C-SG | 547/37600* | Q-Fit | 2235 | 1.0 | 404 | 531-70 up |
| GPS-1-QF-76-C-B | 980/A7480** | Q-Fit | 2286 | 1.0 | 455 | TM310, 526-56 up |
| GPS-1-QF-80-C-WI | 335/E3117 | Q-Fit | 2438 | 1.0 | 405 | - |
| GPS-1-QF-80-C-T | 980/B8000*** | Q-Fit | 2400 | 1.0 | 403 | - |
| GPS-1.2-QF-80-C-T | 980/B9000*** | Q-Fit | 2400 | 1.2 | 420 | - |
| GPS-1.6-QF-83-C-SG | 333/L7159* | Q-Fit | 2525 | 1.6 | 674 | 550-80 |
| GPS-0.9-PC-60-W | 980/A9968 | Pin & Cone | 1850 | 0.9 | 320 | TM180, TM220 |
| GPS-1.0-PC-66-W | 980/A9970 | Pin & Cone | 2000 | 1 | 337 | TM220 |
| GPS-1.6-PC-83-C | 980/C0035 | Pin & Cone | 2550 | 1.6 | 674 | TM420 |
| GPS-0.8-PCC-60-C | 980/A9968 | Pin & Cone Compact | 1850 | 0.8 | 348 | TM180, TM220 |
| GPS-0.3-E-40-C | 400/C2687 | Euro | 1200 | 0.3 | 132 | 403 WLS |
| GPS-0.4-E-40-A | 400/C4969 | Euro | 1200 | 0.4 | 131 | 403 WLS |
| GPS-0.4-E-50-C | 400/D7259 | Euro | 1480 | 0.4 | 153 | 403 WLS |
| GPS-0.5-E-50-A | 400/C2711 | Euro | 1480 | 0.5 | 152 | 403 WLS |
| GPS-0.9-E-60-W | 980/A9965 | Euro | 1850 | 0.9 | 309 | 403 WLS |
| GPS-0.8-I-59-C | 334/T3815 | Industrial (Volvo) | 1750 | 0.8 | 283 | 406, 407 WLS |
| GPS-0.9-I-63-C | 334/T3389 | Industrial (Volvo) | 1900 | 0.9 | 298 | 406, 407 WLS |
| GPS-0.3-W-40-C | 400/C2689 | Weidemann | 1200 | 0.3 | 136 | 403 WLS |
| GPS-0.4-W-40-A | 400/C5041 | Weidemann | 1200 | 0.4 | 136 | 403 WLS |
| GPS-0.4-W-50-C | 400/D7267 | Weidemann | 1480 | 0.4 | 157 | 403 WLS |
| GPS-0.5-W-50-A | 400/C2735 | Weidemann | 1480 | 0.5 | 156 | 403 WLS |
| GPS-0.3-S-40-C | 400/C2691 | Schaffer | 1200 | 0.3 | 148 | 403 WLS |
| GPS-0.4-S-40-A | 400/C5263 | Schaffer | 1200 | 0.4 | 142 | 403 WLS |
| GPS-0.4-S-50-C | 400/D7270 | Schaffer | 1480 | 0.4 | 169 | 403 WLS |
| GPS-0.5-S-50-A | 400/C2736 | Schaffer | 1480 | 0.5 | 163 | 403 WLS |
| GPS-0.3-G-40-C | 400/C2688 | Giant | 1200 | 0.3 | 137 | 403 WLS |
| GPS-0.4-G-40-A | 400/C5035 | Giant | 1200 | 0.4 | 138 | 403 WLS |
| GPS-0.4-G-50-C | 400/D7262 | Giant | 1480 | 0.4 | 158 | 403 WLS |
| GPS-0.5-G-50-A | 400/C2731 | Giant | 1480 | 0.5 | 159 | 403 WLS |

All machine compatibility based on JCB machine stability and capacity figures.

*Comes with spill guard. **Including Bolt On Toeplate. *** Optional Toeplate - 980/DD196.

6-in-1 Shovel

- Increases machine versatility: dozing, loading, digging, grabbing, backfilling and grading all possible from one unit



| Product name | Part number | Carriage pick up | Width (mm) | Capacity (m ³) | Weight (kg) | Machine models |
|---------------|-------------|--------------------|------------|----------------------------|-------------|----------------|
| 6-1-0.7-TC-73 | 980/37200 | Tool carrier | 2235 | 0.7 | 750 | - |
| 6-1-1.1-QF-76 | 980/AZ083 | Q-Fit | 2350 | 1.1 | 680 | - |
| 6-1-0.8-I-63 | 334/55111 | Industrial (Volvo) | 1900 | 0.8 | 495 | 407 WLS |
| 6-1-0.3-SS-50 | 512/04400 | Skid steer | 1550 | 0.3 | 348 | - |

All machine compatibility based on JCB machine stability and capacity figures.

Bucket Brush

NEW

JCB Attachments are pleased to announce the addition of 4 new bucket brushes to the existing range. Our bucket brushes now come in 5 sizes, from 1850mm (6ft) to 2450mm (8ft).

The JCB bucket brush is a versatile tool which can be used to sweep a variety of materials such as mud, grain, slurry, aggregate and equine waste.

- With integrated motor valve protection as standard
- Weld on brackets included with the installation kit supplied with the bucket brush
- Poly brush segments to reduce risks to livestock



| Part number | Width (mm) | Weight (kg) | Bucket size (m) | Max flow (lpm) | Pressures (bar) |
|-------------|------------|-------------|-----------------|----------------|-----------------|
| 980/A9304 | 2005 | 184 | 1.85 | 100 | 250 |
| 980/A9305 | 2155 | 193 | 2.00 | 100 | 250 |
| 980/A9306 | 2305 | 202 | 2.15 | 100 | 250 |
| 980/A9307 | 2455 | 211 | 2.30 | 100 | 250 |
| 980/A9308 | 2605 | 220 | 2.45 | 100 | 250 |

Bucket Brush Ready Shovels

| Product name | Part number | Carriage pick up | Width (mm) | Capacity (m ³) | Weight (kg) |
|----------------|-------------|------------------|------------|----------------------------|-------------|
| BBRS-1.5-QF-76 | 980/B0360 | Q-Fit | 2300 | 1.5 | 635 |
| BBRS-1.5-PC-76 | 980/B0359 | Pin & Cone | 2300 | 1.5 | 641 |

Bucket Brush Ready Shovels are pre welded ready for bucket brushes which are sold separately.

Bag Filler Shovels

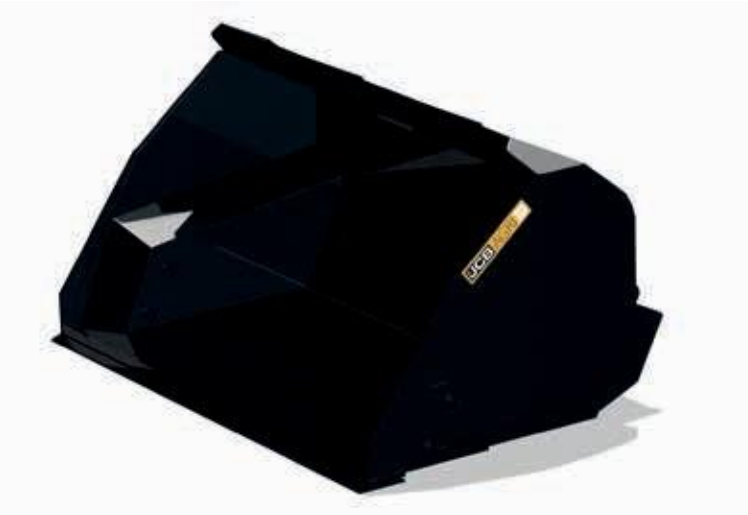
- Designed to fill various types of material into bulk bags
- One person operation to fill and move bags with single machine
- Bolt on or weld on hitch systems to fit all machines
- Hardened steel cutting edge with wear strips on bucket floor. Heel plate also produced with hardened still and reversible bolt on cutting edge



| Product name | Part number | Carriage pick up | Width (mm) | Height (mm) | Capacity (m ³) | Weight (kg) | Machine models |
|---------------|-------------|------------------|------------|-------------|----------------------------|-------------|------------------------------|
| BFS-0.6-QF-56 | 980/A8500 | Q-Fit | 1700 | 775 | 0.6 | 476 | Loadalls 2.5 tonne and above |
| BFS-0.6-Z-56 | 980/A8700 | Zettlemeyer | 1700 | 775 | 0.6 | 462 | 407 WLS up |
| BFS-0.6-T-56 | 980/A8600 | Teletruk | 1700 | 775 | 0.6 | 494 | 2.5 tonne upwards |

High Tip Shovels

- Designed to be able to tip loads over high sided trailers with minimal spilling
- High strength durable steel



| Product name | Part number | Carriage pick up | Width (mm) | Capacity (m ³) | Weight (kg) | Machine models |
|--------------|-------------|------------------|------------|----------------------------|-------------|----------------|
| HTS-3.5-I-89 | 980/A7568 | Industrial | 2700 | 3.5 | 1900 | 426 HT WLS* |
| HTS-3.8-I-89 | 980/A7569 | Industrial | 2700 | 3.8 | 2000 | 435S WLS* |

*Using maximum material density of 1000 kg/cm³. *Bolt on toe plate kit - 334/F2267.

Power Grabs

Our power grabs have been redesigned to further enhance the capabilities of your machine and ensure it is working to its maximum performance and efficiency.

All grabs are provided with suitable tail hoses and quick release couplings making sure when it arrives it is ready to go straight to work.

- Wide range of tine options using forged and Hardox variations to suit all applications featuring improved bosses on the forged tines on the top grab to maximise strength
- Larger opening top grab with a greater clamping force to handle bigger and bulkier loads. With improved geometry enabling it to work up to a wall and robot welded folded steel to add superior strength and rigidity throughout
- Hoses are clamped neatly out of the way of debris to reduce the chance of damage
- Larger electro plated pivot pins, which can be greased and strategically placed wear strips to prolong life, help dissipate stress and reduce the cost of ownership
- Improved spill guard design to protect the hitch on the machine
- Greater visibility of the end tines from the cab to ensure precise material handling and maximum ram protection



*Additional hoses may be needed for TM range machines if required.

Power Grabs

| Product name | Part number | Carriage pick up | Tines | Width (mm) | Capacity (m ³) | Weight (kg) | Minimum machine capacity (kg) |
|---------------------|-------------|----------------------|-------|------------|----------------------------|-------------|-------------------------------|
| PG-0.9-CTC-60-FG-FG | 980/B0003 | Compact Tool Carrier | KV-KV | 1850 | 0.9 | 314 | 1500 |
| PG-1-CTC-66-FG-FG | 980/B0005 | Compact Tool Carrier | KV-KV | 2010 | 1.0 | 323 | 1500 |
| PG-1.5-TC-66-FG-FG | 980/B0040 | Tool Carrier | KV-KV | 1980 | 1.5 | 543 | 2500 |
| PG-1.6-TC-70-FG-FG | 980/B0002 | Tool Carrier | KV-KV | 2150 | 1.6 | 557 | 2500 |
| PG-1.7-TC-76-FG-FG | 980/B0019 | Tool Carrier | KV-KV | 2300 | 1.7 | 579 | 2500 |
| PG-1.7-TC-76-H-FG | 980/B0020 | Tool Carrier | H-KV | 2300 | 1.7 | 766 | 3000 |
| PG-1.7-TC-76-H-H | 980/B0021 | Tool Carrier | H-H | 2300 | 1.7 | 776 | 3000 |
| PG-1.5-QF-66-FG-FG | 980/B0034 | Q-Fit | KV-KV | 1980 | 1.5 | 545 | 2500 |
| PG-1.5-QF-66-H-H | 980/B0100 | Q-Fit | H-H | 2025 | 1.5 | 734 | 2750 |
| PG-1.6-QF-70-FG-FG | 980/B0001 | Q-Fit | KV-KV | 2150 | 1.6 | 559 | 2500 |
| PG-1.6-QF-70-H-H | 980/B0099 | Q-Fit | H-H | 2175 | 1.6 | 748 | 2750 |
| PG-1.7-QF-76-FG-FG | 980/B0013 | Q-Fit | KV-KV | 2300 | 1.7 | 581 | 2500 |
| PG-1.7-QF-76-H-FG | 980/B0014 | Q-Fit | H-KV | 2300 | 1.7 | 768 | 3000 |
| PG-1.7-QF-76-H-H | 980/B0015 | Q-Fit | H-H | 2300 | 1.7 | 778 | 3000 |
| PG-1.8-QF-80-FG-FG | 980/B0022 | Q-Fit | KV-KV | 2450 | 1.8 | 603 | 3000 |
| PG-1.8-QF-80-H-H | 980/B0023 | Q-Fit | H-H | 2450 | 1.8 | 808 | 3000 |
| PG-2.3-QF-76-FG-FG | 980/B0016 | Q-Fit | KV-KV | 2300 | 2.3 | 637 | 3000 |
| PG-2.3-QF-76-H-FG | 980/B0017 | Q-Fit | H-KV | 2300 | 2.3 | 724 | 3500 |
| PG-2.3-QF-76-H-H | 980/B0018 | Q-Fit | H-H | 2300 | 2.3 | 743 | 3500 |
| PG-2.4-QF-80-FG-FG | 980/B0024 | Q-Fit | KV-KV | 2450 | 2.4 | 660 | 3500 |
| PG-2.4-QF-80-H-H | 980/B0025 | Q-Fit | H-H | 2450 | 2.4 | 776 | 3500 |
| PG-2.6-QF-86-H-H | 980/B0028 | Q-Fit | H-H | 2590 | 2.6 | 791 | 4000 |

Tines

KV - Kverneland tines H - Hardox tines H-KV Hardox lower - KV upper.

Power Grabs

| Product name | Part number | Carriage pick up | Tines | Width (mm) | Capacity (m ³) | Weight (kg) | Minimum machine capacity (kg) |
|----------------------|-------------|--------------------|-------|------------|----------------------------|-------------|-------------------------------|
| PG-0.9-PC-60-FG-FG | 980/B0004 | Pin & Cone | KV-KV | 1850 | 0.9 | 316 | 1500 |
| PG-1-PC-66-FG-FG | 980/B0006 | Pin & Cone | KV-KV | 2010 | 1.0 | 325 | 1500 |
| PG-1.5-PC-66-FG-FG-1 | 980/B0035 | Pin & Cone | KV-KV | 1980 | 1.5 | 545 | 2500 |
| PG-1.5-PC-66-FG-FG-2 | 980/B0041 | Pin & Cone | KV-KV | 2025 | 1.5 | 545 | 2500 |
| PG-1.7-PC-76-FG-FG | 980/B0007 | Pin & Cone | KV-KV | 2300 | 1.7 | 581 | 2500 |
| PG-1.7-PC-76-H-FG | 980/B0008 | Pin & Cone | H-KV | 2300 | 1.7 | 768 | 3000 |
| PG-1.7-PC-76-H-H | 980/B0009 | Pin & Cone | H-H | 2300 | 1.7 | 778 | 3000 |
| PG-1.8-PC-80-FG-FG | 980/B0026 | Pin & Cone | KV-KV | 2450 | 1.8 | 603 | 3000 |
| PG-1.8-PC-80-H-H | 980/B0027 | Pin & Cone | H-H | 2450 | 1.8 | 808 | 3000 |
| PG-2.3-PC-76-FG-FG | 980/B0010 | Pin & Cone | KV-KV | 2300 | 2.3 | 638 | 3000 |
| PG-2.3-PC-76-H-FG | 980/B0011 | Pin & Cone | H-KV | 2300 | 2.3 | 727 | 3500 |
| PG-2.3-PC-76-H-H | 980/B0012 | Pin & Cone | H-H | 2300 | 2.3 | 746 | 3500 |
| PG-2.4-PC-80-H-H | 980/B4949 | Pin & Cone | H-H | 2450 | 2.4 | 773 | 3500 |
| PG-1.7-M-76-FG-FG | 980/B0032 | Manitou | KV-KV | 2300 | 1.7 | 585 | 2500 |
| PG-1.7-M-76-H-H | 980/B0039 | Manitou | H-H | 2290 | 1.7 | 782 | 3000 |
| PG-1.7-M-76-H-FG | 980/B0050 | Manitou | H-KV | 2325 | 1.7 | 772 | - |
| PG-2.3-M-76-KV-FG | 980/B0033 | Manitou | KV-KV | 2300 | 2.3 | 644 | 3000 |
| PG-0.9-E-56-FG-FG | 980/B0036 | Euro | KV-KV | 1710 | 0.9 | 285 | 1500 |
| PG-0.9-E-60-FG-FG | 980/B0037 | Euro | KV-KV | 1850 | 0.9 | 299 | 1500 |
| PG-1-E-66-FG-FG | 980/B0038 | Euro | KV-KV | 2010 | 1.0 | 310 | 1500 |
| PG-1.7-I-76-FG-FG | 980/B0052 | Industrial (Volvo) | KV-KV | 2325 | 1.7 | 566 | - |
| PG-1.7-I-76-H-H | 980/B0053 | Industrial (Volvo) | H-H | 2325 | 1.7 | 763 | - |
| PG-1.8-I-80-H-H | 980/B0029 | Industrial (Volvo) | H-H | 2450 | 1.8 | 799 | 3000 |
| PG-2.4-I-80-H-H | 980/B0030 | Industrial (Volvo) | H-H | 2450 | 2.4 | 769 | 3500 |
| PG-2.6-I-86-H-H | 980/B0031 | Industrial (Volvo) | H-H | 2590 | 2.6 | 784 | 3500 |

Tines

KV - Kverneland tines H - Hardox tines H-KV Hardox lower - KV upper.

Muck Forks with Top Grab

- A versatile attachment for moving manure, muck, silage and bales
- A proven design, working hard day in, day out, year on year, highly valued by owners and operators
- Heavy duty construction and powerful rams ensure that even the most compacted manure can be efficiently shifted

| Product name | Part number | Carriage pick up | Tines | Width (mm) | Capacity (m ³) | Weight (kg) | Machine models |
|----------------|-------------|------------------|-------|------------|----------------------------|-------------|------------------|
| MF-1.8-QF-76-S | 980/B0056 | Q-Fit | S | 2284 | 1.8 | 582 | 526-56 up |
| MF-1.8-QF-76-F | 980/B0061 | Q-Fit | F | 2284 | 1.8 | 470 | 526-56 up |
| MF-1.8-QF-76-H | 980/B0058 | Q-Fit | H | 2284 | 1.8 | 600 | 526-56 up |
| MF-1.8-PC-76-S | 980/B0057 | Pin & Cone | S | 2284 | 1.8 | 582 | TM310, 526-56 up |
| MF-1.8-PC-76-F | 980/B0060 | Pin & Cone | F | 2284 | 1.8 | 560 | TM310, 526-56 up |
| MF-1.8-PC-76-H | 980/B0059 | Pin & Cone | H | 2284 | 1.8 | 600 | TM310, 526-56 up |
| MF-0.3-E-36 | 980/B0314 | Euro | - | 1082 | 0.3 | 149 | 403 WLS |
| MF-0.4-E-46 | 980/B0317 | Euro | - | 1402 | 0.4 | 172 | 403 WLS |
| MF-0.2-W-30 | 980/B0312 | Weidemann | - | 892 | 0.2 | 132 | 403 WLS |
| MF-0.3-W-36 | 980/B0315 | Weidemann | - | 1082 | 0.3 | 133 | 403 WLS |
| MF-0.4-W-46 | 980/B0319 | Weidemann | - | 1402 | 0.4 | 171 | 403 WLS |
| MF-0.3-S-30 | 980/B0313 | Schaffer | - | 892 | 0.3 | 147 | 403 WLS |
| MF-0.3-S-36 | 980/B0316 | Schaffer | - | 1082 | 0.3 | 163 | 403 WLS |
| MF-0.4-S-46 | 980/B0320 | Schaffer | - | 1402 | 0.4 | 186 | 403 WLS |
| MF-0.5-S-36-F | 980/A2681 | Schaffer | F | 1082 | 0.5 | 403 | 403 WLS |
| MF-0.3-G-30 | 980/B0311 | Giant | - | 892 | 0.3 | 133 | 403 WLS |
| MF-0.3-G-40 | 980/D0644 | Giant | - | 1202 | 0.3 | 154 | 403 WLS |
| MF-0.4-G-46 | 980/B0318 | Giant | - | 1402 | 0.4 | 173 | 403 WLS |
| MF-0.8-RO-56-F | 980/88222 | Robot | F | 1700 | 0.8 | 233 | Robot 190-1110 |
| MF-SS-60-F | 332/L3869 | Skid Steer | F | 1830 | - | 159 | SSL 260-280 |
| MF-SS-70-F | 332/L3879 | Skid Steer | F | 2130 | - | 187 | SSL 260 |

Tines

F - Forged tines H - Hardox tines S- Standard tines.



High Capacity Grass Forks

Designed specifically for handling large volumes of grass during silage work, the latest JCB high capacity grass forks are now available in more size options than ever - from 2438mm to 3048mm plus extensions. Features include a rear spill guard and hardox tines.



| Product name | Part number | Carriage pick up | Width (mm) | Capacity (m³) | Weight (kg) | Machine models |
|----------------|-------------|------------------|------------|---------------|-------------|----------------------------------|
| HCGF-3.2-QF-80 | 980/A7707 | Q-Fit | 2440 | 3.2 | 905 | - |
| HCGF-3.6-QF-90 | 980/A7708 | Q-Fit | 2745 | 3.6 | 1015 | - |
| HCGF-3.2-PC-80 | 980/A7711 | Pin & Cone | 2440 | 3.2 | 905 | - |
| HCGF-3.6-PC-90 | 980/A7712 | Pin & Cone | 2745 | 3.6 | 1015 | - |
| HCGF-3.6-I-90 | 980/A7716 | Industrial | 2745 | 3.6 | 1015 | 418S, 427HT, 437HT, 427 AGRI WLS |
| HCGF-4-I-100 | 980/A7717 | Industrial | 3048 | 4.0 | 1125 | 418S, 427HT, 437HT, 427 AGRI WLS |

Folding Grass Forks

Specially designed for agricultural contractors operating a wheeled loader, our folding grass forks are made to a high specification. Hydraulically operated side extensions allow you to reduce the unit's width for easy roading and transportation.



| Product name | Part number | Carriage pick up | Operating width (mm) | Traveling width (mm) | Capacity (m³) | Weight (kg) | Tine length (m) | Machine models |
|-----------------|-------------|------------------|----------------------|----------------------|---------------|-------------|-----------------|------------------------|
| FGF-7.2-IQF-123 | 980/A1210 | Industrial Q-Fit | 3702 | 2640 | 4.5 | 1600 | 1.6 | 418S WLS |
| FGF-8-IQF-146 | 980/A1310 | Industrial Q-Fit | 4264 | 2894 | 4.3 | 1850 | 1.6 | 426, 427, 434, 435 WLS |



Fork Positioners

- Our fork positioners allow the width of the forks to be easily adjusted to fit any sized pallet or bag
- Fork retaining holders allow the forks to be easily folded and made safe for transport
- High capacity rating allowing you to do any job you need them to do
- Compact design to allow good visibility in front of the forks
- Plated end caps on both ends to improve access when servicing



| Part number | Carriage pick up | Fork pin diameter (mm) | Max fork width (mm) | Machine models |
|-------------|------------------|------------------------|---------------------|----------------|
| 980/A2051 | Q-Fit | 50.8 | 100 | up to 535-140 |
| 980/A2052 | Q-Fit | 57 | 100 | up to 540-180 |

Industrial Sideshift

- Allows ± 100 mm sideshift of load for accurate placement
- Fitted between industrial fork frame and forks or other FEM/ITA compatible attachments

Requires industrial fork frame of correct class. Uses the same forks as the industrial fork frame. Does not include hoses or quick connector.

| Product name | Part number | Class | Operating width (mm) |
|--------------|-------------|-------|----------------------|
| INDS-1100 | 515/20034 | 2 | 1100 |
| INDS-1200 | 332/U5615 | 3 | 1200 |

Integral Sideshift

- Allows fork positioning ready for load pick-up and sideshift of load when placing, especially useful when working at height
- Fits on clearview carriages

For 535-125 to 540-200, requires Q-Fit clearview carriage (standard on 540-170 and 540-200).

| Product name | Part number | Item | Fork length (mm) | Fork width (mm) | Fork thickness (mm) |
|--------------|-------------|------------------|------------------|-----------------|---------------------|
| INTS | 160/13008+ | - | - | - | - |
| - | 160/13011 | Forks for above* | 1200 | 80 | 50 |

*Requires special forks. *Includes special pin.

Fork and Frames

| Product name | Part number | Carriage pick up | Width of carriage (mm) | Height (mm) | Weight (kg) | Length of forks (mm) | Width of forks (mm) | Distance between forks (mm) | Machine models |
|--------------|-------------|------------------|------------------------|-------------|-------------|----------------------|---------------------|-----------------------------|----------------|
| FF-E-36 | 335/A1367 | Euro | 1100 | 407 | 179 | 1070 | 100 | 726 max - 100 min | 403 WLS |
| FF-W-36 | 335/A1375 | Weidemann | 1100 | 407 | 168 | 1070 | 100 | 726 max - 100 min | 403 WLS |
| FF-S-36 | 335/E9042 | Schaffer | 1100 | 407 | 184 | 1070 | 100 | 726 max - 100 min | 403 WLS |
| FF-U-36 | 335/B1878 | Giant | 1100 | 407 | 171 | 1070 | 100 | 726 max - 100 min | 403 WLS |

Fork Frames with Floating Forks

- Floating forks aid pick-up of loads on uneven ground by allowing fork tines to ride up and down as they enter the load
- Forks locked in position on fork bar by 'T' handles



| Product name | Part number | Item | Carriage pick up | Operating width (mm) | Fork pin diameter (mm) | Fork length (mm) | Fork width (mm) | Fork thickness (mm) | Machine models |
|----------------|-------------|----------------------|----------------------|----------------------|------------------------|------------------|-----------------|---------------------|------------------------|
| FLF-CTC-1015 | 296/02244 | Fork frame and forks | Compact Tool Carrier | 1015 | 44.4 | 1067 | 80 | 40 | 515-40, 520-40 |
| | 331/44702 | Forks for above | - | - | 44.4 | 1067 | 80 | 40 | 515-40, 520-40 |
| FLF-CTC-1270-S | 296/12034 | Fork frame and forks | Compact Tool Carrier | 1270 | 50.7 | 1067 | 100 | 45 | 524-50, 527-55, 527-58 |
| FLF-CTC-1270-L | 296/12045 | Fork frame and forks | Compact Tool Carrier | 1270 | 50.7 | 1200 | 125 | 40 | 524-50, 527-55, 527-58 |
| | 514/02400 | Forks for above | - | - | 50.7 | 1067 | 100 | 45 | 524-50, 527-55, 527-58 |
| | 514/02200 | Forks for above | - | - | 50.7 | 1200 | 125 | 40 | 524-50, 527-55, 527-58 |
| FLFP-CTC | 514/02000 | Fork frame and pin | Compact Tool Carrier | - | 44.4 | 1067 | 80 | 40 | 527-58 |
| FLFR-CTC | 332/F0029 | Fork frame only* | Compact Tool Carrier | - | 1015 | - | - | - | TM180, TM220 |
| FLFP-TC-1212 | 545/47096 | Fork frame and pin | Tool Carrier | 1212 | 50.7 | - | - | - | 527-58, 526-56 |
| | 545/82118 | Forks for above | - | - | 50.7 | 1067 | 100 | 40 | 527-58, 526-56 |
| | 545/82119 | Forks for above | - | - | 50.7 | 1200 | 100 | 40 | 527-58, 526-56 |
| FLF-SS-1200-1 | 980/89727 | Fork frame and Forks | Skid Steer | 1200 | 50.7 | 1200 | 100 | 50 | 515-40 |
| FLF-SS-1200-2 | 332/E9877 | Fork frame and Forks | Skid Steer | 1200 | 50.7 | 1200 | 100 | 50 | 520-40 |

Allows ± 100 mm sideshift of load for accurate placement. Fitted between industrial fork frame and forks or other FEM/ITA compatible attachments.

*WA only. Requires dataplate, fork pin etc.

Forks Frames/Industrial Forks

- Compatible with many industrial forklift attachments made to FEM/ITA standards
- Plunger locks engage frame castellations keeping adjustable forks securely placed

| Product name | Part number | Item | Carriage pick up | Type | Operating width (mm) | Fork length (mm) | Fork width (mm) | Fork thickness (mm) | Machines models |
|---------------|-------------|----------------------|----------------------|----------|----------------------|------------------|-----------------|---|---|
| IFF-SS-1200-1 | 980/89726 | Fork frame and forks | Skid Steer | Class 2 | 1200 | 1100 | 100 | - | 515-40 |
| IFF-SS-1200-2 | 332/E9885 | Fork frame and forks | Skid Steer | Class 2 | 1200 | 1100 | 100 | - | 520-40 |
| IFR-CTC-1100 | 514/00700 | Fork frame only | Compact Tool Carrier | Class 2 | 1100 | - | - | - | 515-40, 520-40 |
| | 333/C6894 | Forks for above | - | Class 2 | - | 1070 | 100 | 45 | 515-40, 520-40 |
| | 333/T0061 | Forks for above | - | Class 2 | - | 1200 | 100 | 45 | 515-40, 520-40 |
| IFR-CTC | 514/01500 | Fork frame only | Compact Tool Carrier | Class 3 | 1317 | - | - | - | 524-50, 527-55, 527-58 |
| | 333/T0068 | Forks for above | - | Class 3 | - | 1067 | 100 | 50 | 524-50, 527-55, 527-58 |
| | 333/T0070 | Forks for above | - | Class 3 | - | 1200 | 125 | 50 | 524-50, 527-55, 527-58 |
| FF-CTC-1345 | 333/R5603 | Fork frame only+ | Compact Tool Carrier | Class 2 | 1345 | - | - | - | TM180, TM220 |
| IFR-TC-1370 | 545/47017 | Fork frame only | Tool Carrier | Class 2 | 1370 | - | - | - | 527-58, 526-56 |
| | 333/C6894 | Forks for above | - | Class 2 | - | 1070 | 100 | 45 | 527-58, 526-56, 531-70 |
| | 333/T0061 | Forks for above | - | Class 2 | - | 1200 | 100 | 45 | 527-58, 526-56, 531-70 |
| IFR-QF-1370 | 545/40000 | Fork frame only | Q-Fit | Class 2 | 1370 | - | - | - | 527-58, 526-56, 531-70 |
| IFR-QF-1980 | 545/40200 | Fork frame only | Q-Fit | Class 2 | 1980 | - | - | - | 527-58, 526-56, 531-70 |
| IFR-QF-1500 | 545/40800 | Fork frame only | Q-Fit | Class 3 | 1500 | - | - | - | TM320, 536-60 to 540-140, 550-80 |
| | 333/T0068 | Forks for above | - | Class 3 | - | 1067 | 100 | 50 | TM320, 536-60 to 540-140, 550-80 |
| | 333/T0070 | Forks for above | - | Class 3 | - | 1200 | 125 | 50 | TM320, 536-60 to 540-140, 550-80 |
| FF-PC-1345 | 333/R6289 | Fork frame only+ | Pin & Cone | Class 2 | 1345 | - | - | - | TM180, TM220 |
| | 333/S9901 | Forks for above | - | Class 2 | - | 1067 | 100 | 40 | TM180, TM220 |
| | 333/T0057 | Forks for above | - | Class 2 | - | 1200 | 100 | 40 | TM180, TM220 |
| IFR-PC | 331/20086 | Fork frame only* | Pin & Cone | Class 3 | - | - | - | - | TM320 |
| | 333/T0068 | Forks for above | Pin & Cone | Class 3 | - | 1067 | 100 | 45 | TM320 |
| | 333/T0070 | Forks for above | Pin & Cone | Class 3 | - | 1200 | 100 | 45 | TM320 |
| IFR-M-1170 | 335/06928 | Fork frame only+ | Manitou | Class 3 | 1170 | 1100 | 100 | 50 | 527-58 |
| | 333/C6944 | Forks for above | - | Class 3 | - | 1100 | 100 | 50 | 527-58 |
| IFR-I-1500 | 511/60900 | Fork frame only | Industrial (Volvo) | Class 3 | 1500 | - | - | - | 550-80 |
| | 511/60800 | Forks for above | - | Class 3 | - | 1220 | 120 | 50 | 550-80 |
| | 547/02500 | - | - | Class 2B | - | 1067 | 100 | 45 | Forks suitable for all industrial fork frames |
| | 547/08500 | - | - | Class 2B | - | 1200 | 100 | 45 | Forks suitable for all industrial fork frames |
| | 547/07900 | - | - | Class 2B | - | 1067 | 100 | 50 | Forks suitable for all industrial fork frames |
| 547/08600 | - | - | Class 2B | - | 1200 | 125 | 50 | Forks suitable for all industrial fork frames | |

Carriage Mounted Forks

- No payload reduction due to additional weight of fork frame
- Forks easily and quickly removed for fitment of other attachments

| Part number | Carriage pick up | Type | Fork pin dia (mm) | Fork length (mm) | Fork width (mm) | Fork thickness (mm) | Machines models |
|-------------|------------------|----------|-------------------|------------------|-----------------|---------------------|---------------------------|
| 545/82121 | Q-Fit | Floating | 50.7 | 1067 | 100 | 40 | TM320, 526-56 to 531-70 |
| 545/82126 | Q-Fit | Floating | 50.7 | 1200 | 125 | 40 | TM320, 526-56 to 535-140 |
| 545/82134 | Q-Fit | Floating | 51 | 1067 | 100 | 45 | up to 535-140 |
| 545/82136 | Q-Fit | Floating | 50.7 | 1200 | 100 | 45 | up to 535-140 |
| 545/82139 | Q-Fit | Floating | 50.7 | 1067 | 100 | 50 | 535-125, 535-140 |
| 545/82141 | Q-Fit | Floating | 51 | 1200 | 100 | 50 | 535-125, 535-140 |
| 545/82130 | Q-Fit | Floating | 57 | 1067 | 100 | 50 | 536-70 to 540-140, 541-70 |
| 545/82132 | Q-Fit | Floating | 57 | 1200 | 100 | 50 | 536-70 to 540-140 |
| 545/82129 | Q-Fit | Floating | 57 | 1200 | 120 | 50 | 536-70 to 540-140 |
| 333/D9783 | Q-Fit | Floating | 57 | 1067 | 100 | 50 | 540-200 |
| 333/F1354 | Q-Fit | Floating | 57 | 1200 | 120 | 50 | 540-200 |
| 333/E3476 | Q-Fit | Floating | 57 | 1067 | 120 | 50 | 550-80 |
| 333/E3433 | Q-Fit | Floating | 57 | 1200 | 130 | 60 | 550-80 |
| 333/E2967 | Q-Fit | Floating | 57 | 1200 | 120 | 50 | 550-80 |
| 333/S9901 | Pin & Cone | Class 2 | - | 1067 | 100 | 40 | TM180, TM220 |
| 333/T0057 | Pin & Cone | Class 2 | - | 1200 | 100 | 40 | TM180, TM220 |



Multi Shovels

JCB are now offering a brand new range of multi shovels, offering increased shovel load capacity meaning higher productivity, to suit machines from 525-60 to 541-70.

- Now available as a fully fabricated grab or a forged bolt-on option which can be easily replaced
- With 32 variants and 2 tine types as well as a variety of pick up options, the multi shovel offers great versatility
- The grab opens to 1.75m, enabling the easy handling of silage, manure, timber, round and square bales
- Offering a wider choice, the new multi shovel has both weld-on and bolt-on toeplates
- Larger size of grab meaning a higher load capacity and increased size of spill guard but still maintaining great visibility
- Level indicator has been added for shovel positioning and efficiency



Multi Shovels - Forged Tine

| Part number | Carriage pick up | Overall width (mm) | Capacity (m ³) | Fitted with toe plate | Weight (kg) | Machine models |
|-------------|------------------|--------------------|----------------------------|-----------------------|-------------|---|
| 980/AZ004 | Tool Carrier | 2150 | 1.45 | Weld on | 783 | 526-60, 526-56, 525-60 |
| 980/AZ012 | Tool Carrier | 2150 | 1.45 | Bolt on | 785 | 526-60, 526-56, 525-60 |
| 980/AZ005 | Tool Carrier | 2350 | 1.59 | Weld on | 832 | 526-60, 526-56, 525-60 |
| 980/AZ014 | Tool Carrier | 2350 | 1.59 | Bolt on | 831 | 526-60, 526-56, 525-60 |
| 980/A1998 | Q-Fit | 2350 | 1.59 | Weld on | 830 | 526-60, 526-56, 525-60 |
| 980/AZ006 | Q-Fit | 2350 | 1.59 | Bolt on | 829 | 526-60, 526-56, 525-60 |
| 980/A1999 | Q-Fit | 2450 | 1.66 | Weld on | 849 | 535-95, 531-70, 536-60, 536-70, TM320, 541-70 |
| 980/AZ007 | Q-Fit | 2450 | 1.66 | Bolt on | 847 | 535-95, 531-70, 536-60, 536-70, TM320, 541-70 |
| 980/AZ000 | Pin & Cone | 2150 | 1.45 | Weld on | 804 | 526-60, 526-56, 525-60 |
| 980/AZ008 | Pin & Cone | 2150 | 1.45 | Bolt on | 806 | 526-60, 526-56, 525-60 |
| 980/AZ001 | Pin & Cone | 2450 | 1.66 | Weld on | 872 | 535-95, 531-70, 536-60, 536-70, TM320, 541-70 |
| 980/AZ009 | Pin & Cone | 2450 | 1.66 | Bolt on | 870 | 535-95, 531-70, 536-60, 536-70, TM320, 541-70 |
| 980/AZ002 | Manitou | 2350 | 1.59 | Weld on | 855 | 526-60, 526-56, 525-60 |
| 980/AZ010 | Manitou | 2350 | 1.59 | Bolt on | 854 | 526-60, 526-56, 525-60 |
| 980/AZ003 | Manitou | 2450 | 1.66 | Weld on | 874 | 535-95, 531-70, 536-60, 536-70, TM320, 541-70 |
| 980/AZ011 | Manitou | 2450 | 1.66 | Bolt on | 872 | 535-95, 531-70, 536-60, 536-70, TM320, 541-70 |

Multi Shovels - Fabricated Grab

| Part number | Carriage pick up | Overall width (mm) | Capacity (m ³) | Fitted with toe plate | Weight (kg) | Machine models |
|-------------|------------------|--------------------|----------------------------|-----------------------|-------------|---|
| 980/A1988 | Tool Carrier | 2150 (84.6) | 1.45 | Weld On | 778 | 526-60, 526-56, 525-60 |
| 980/A1996 | Tool Carrier | 2150 (84.6) | 1.45 | Bolt On | 775 | 526-60, 526-56, 525-60 |
| 980/A1989 | Tool Carrier | 2350 (92.5) | 1.59 | Weld On | 830 | 526-60, 526-56, 525-60 |
| 980/A1997 | Tool Carrier | 2350 (92.5) | 1.59 | Bolt On | 827 | 526-60, 526-56, 525-60 |
| 980/A1980 | Q-Fit | 2350 (92.5) | 1.59 | Weld On | 828 | 526-60, 526-56, 525-60 |
| 980/A1990 | Q-Fit | 2350 (92.5) | 1.59 | Bolt On | 825 | 526-60, 526-56, 525-60 |
| 980/A1981 | Q-Fit | 2450 (96.5) | 1.66 | Weld On | 847 | 535-95, 531-70, 536-60, 536-70, TM320, 541-70 |
| 980/A1991 | Q-Fit | 2450 (96.5) | 1.66 | Bolt On | 843 | 535-95, 531-70, 536-60, 536-70, TM320, 541-70 |
| 980/A1982 | Pin & Cone | 2150 (84.6) | 1.45 | Weld On | 799 | 526-60, 526-56, 525-60 |
| 980/A1992 | Pin & Cone | 2150 (84.6) | 1.45 | Bolt On | 796 | 526-60, 526-56, 525-60 |
| 980/A1984 | Pin & Cone | 2450 (96.5) | 1.66 | Weld On | 870 | 535-95, 531-70, 536-60, 536-70, TM320, 541-70 |
| 980/A1993 | Pin & Cone | 2450 (96.5) | 1.66 | Bolt On | 866 | 535-95, 531-70, 536-60, 536-70, TM320, 541-70 |
| 980/A1986 | Manitou | 2350 (92.5) | 1.59 | Weld On | 853 | 526-60, 526-56, 525-60 |
| 980/A1994 | Manitou | 2350 (92.5) | 1.59 | Bolt On | 850 | 526-60, 526-56, 525-60 |
| 980/A1987 | Manitou | 2450 (96.5) | 1.66 | Weld On | 872 | 535-95, 531-70, 536-60, 536-70, TM320, 541-70 |
| 980/A1995 | Manitou | 2450 (96.5) | 1.66 | Bolt On | 868 | 535-95, 531-70, 536-60, 536-70, TM320, 541-70 |

Bale Handling

If you need to move bales around on a farm site, then the JCB bale handling attachments are invaluable tools. For total versatility, we offer 6 different bale handling attachments to suit your every need on a variety of machines.

- Options available for a range of pickups and machines
- Bolt on bracket options for universal use



Single Bale Spikes

- For efficient handling of round bales up to 1800mm diameter
- The lower tine prevents rotation of the bale



| Product name | Part number | Carriage pick up | Width (mm) | Weight (kg) | Machine models |
|--------------|-------------|----------------------|------------|-------------|--------------------------------|
| SBS-CTC-20 | 980/25100 | Compact Tool Carrier | 600 | 85 | TM180, TM220 |
| SBS-TC-19 | 980/36300 | Tool Carrier | 550 | 84 | 526-56, 527-58 |
| SBS-QF-36 | 980/25200 | Q-Fit | 1070 | 120 | 526-56 up |
| SBS-PC-40 | 980/88011 | Pin & Cone | 1220 | 80 | TM180, TM220, TM310, 527-58 up |

Twin Bale Spike

- Offers safe and effective handling of two round bales up to 1800mm diameter
- Or single rectangular bales up to 1200mm x 1200mm x 2500mm



| Product name | Part number | Carriage pick up | Width (mm) | Weight (kg) | Machine models |
|--------------|-------------|----------------------|------------|-------------|----------------|
| BF-CTC-63 | 980/88009 | Compact Tool Carrier | 1920 | 140 | TM180, TM220 |
| BF-TC-63 | 980/36200 | Tool Carrier | 1920 | 136 | 526-56, 527-58 |

Clap Hands Bale Grab

- No sharp edges for handling wrapped or unwrapped bales
- Double acting ram with check valve for maximum safety
- Ability to lock out one side to aid stacking
- Can handle round or square bales



| Product name | Part number | Carriage pick up | Capacity | Width (mm) | Weight (kg) | Frame height (mm) | Paddle height (mm) | Frame depth (mm) | Frame width (mm) | Overall depth (mm) | Open Centres (mm) | Closed Centres (mm) | Minimum machine capacity (kg) |
|--------------|-------------|------------------|-------------|------------|-------------|-------------------|--------------------|------------------|------------------|--------------------|-------------------|---------------------|-------------------------------|
| BG-QF-46 | 980/A8381 | Q-Fit | Single Bale | 1390 | 206 | 430 | 700 | 210 | 1390 | 1100 | 1810 | 350 | 1500 |
| BG-PC-46 | 980/A8382 | Pin & Cone | Single Bale | 1390 | 193 | 430 | 700 | 210 | 1390 | 1100 | 1810 | 350 | 1500 |
| BG-E-46 | 980/A8383 | Euro | Single Bale | 1390 | 174 | 430 | 700 | 210 | 1390 | 1100 | 1810 | 350 | 1500 |
| BG-U-46 | 980/A7957 | Universal | Single Bale | 1390 | 179 | 430 | 700 | 210 | 1390 | 1100 | 1810 | 350 | 1500 |

Twin or Single Bale Spike

- Removable tines so that it can be used as a single or twin bale spike
- Sold as a universal hanger with optional bolt on brackets* (to be ordered separately)
- Bolt on tines for safe transportation and replacement if worn or damaged



| Product name | Part number | Carriage pick up | Width (mm) | Weight (kg) | Upper tine length (mm) | Lower tine length (mm) | Height (mm) |
|--------------|-------------|------------------|------------|-------------|------------------------|------------------------|-------------|
| T/SBS-NB-50 | 980/A7819 | No brackets* | 1520 | 87 | 1250 | 810 | 415 |

High Back Bale Spike

- Sold as a universal hanger with optional bolt on brackets* (to be ordered separately)
- Designed to carry 3 Quadrant bales or 2 Heston bales
- Bolt on tines for safe transportation and replacement if worn or damaged
- Tines are forged 40mm square



| Product name | Part number | Carriage pick up | Width (mm) | Weight (kg) | Height fully extended (mm) | Height not extended (mm) |
|--------------|-------------|------------------|------------|-------------|----------------------------|--------------------------|
| HBBS-U-56 | 980/A7820 | Universal** | 1660 | 127 | 1925 | 1304 |

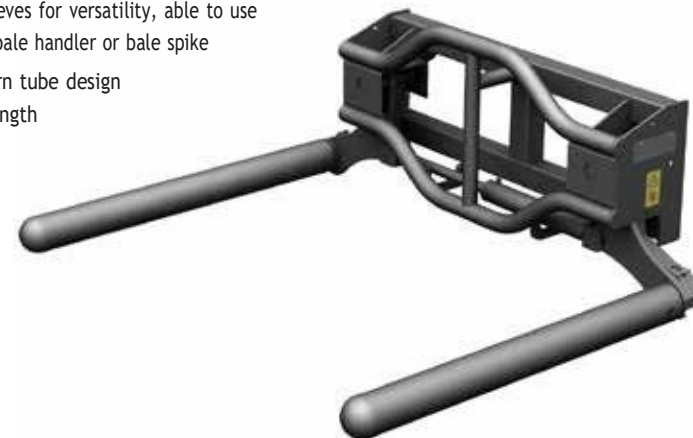
*Bolt on brackets available. ** Bolt on bracket options available.

Wrapped Bale Handler

UPDATE

JCB Attachments are pleased to announce an update to our universal wrapped bale handler. The operator now benefits from better visibility as well as a more modern tube design for added strength.

- Better visibility through the attachment for the operator
- Removable sleeves for versatility, able to use as a wrapped bale handler or bale spike
- A more modern tube design for added strength



| Product name | Part number | Carriage pick up | Width (mm) | Height (mm) | Depth (mm) | Open centres (mm) | Closed centres (mm) | Weight (kg) | Minimum machine capacity (kg) |
|--------------|-------------|------------------|------------|-------------|------------|-------------------|---------------------|-------------|-------------------------------|
| WBH-QF-46 | 980/A8378 | Q-Fit | 1583 | 951 | 280 | 1650 | 730 | 251 | 1500 (1 Bale) |
| WBH-PC-46 | 980/A8379 | Pin & Cone | 1689 | 951 | 280 | 1650 | 730 | 238 | 1500 (1 Bale) |
| WBH-E-46 | 980/A8380 | Euro | 1688 | 951 | 280 | 1650 | 730 | 219 | 1500 (1 Bale) |
| WBH-NB-46 | 980/A8080 | Universal | 1583 | 951 | 280 | 1650 | 730 | 210 | 1500 (1 Bale) |

With a universal pick up, the bale handler works most productively when used with JCB bolt-on-brackets.

| Product number | Bracket |
|----------------|--------------|
| 980/B0337 | Tool Carrier |
| 980/B0342 | Q-Fit |
| 980/B0339 | Pin & Cone |
| 980/B0362 | Manitou |
| 980/B0343 | Euro |
| 980/B0340 | Industrial |

Shear Grab

The JCB shear grab features hardox or forged tines, a heavily reinforced construction and a powerful action, ensuring that you can cut grass and maize silage cleanly from the clamp all day long.

- Enclosed front and sides
- Forged tines
- Smooth clamp face cut
- Heavy duty design
- Suitable for loaders and telehandlers
- Individual serrated blades

| Product name | Part number | Carriage pick up | Tines | Width (mm) | Opening height (mm) | Capacity (m ³) | Weight (kg) | Minimum machine capacity (kg) |
|----------------|-------------|------------------|--------|------------|---------------------|----------------------------|-------------|-------------------------------|
| SHG-1.1-U-50-W | 980/A7904 | Universal | Welded | 1500 | 800 | 1.1 | 516 | 1800 |
| SHG-1.2-U-60-W | 980/A7905 | Universal | Welded | 1800 | 800 | 1.2 | 565 | 2100 |
| SHG-1.4-U-73-W | 980/B3102 | Universal | Welded | 2200 | 800 | 1.4 | 681 | 2500 |
| SHG-2.5-U-73-W | 980/B7002 | Universal | Welded | 2200 | 1025 | 2.5 | 897 | 3000 |
| SHG-2.9-U-82-W | 980/B7001 | Universal | Welded | 2500 | 1025 | 2.9 | 961 | 3500 |

Above are all universal pick up with weld on tines, designed to be used alongside our bolt on brackets.

| Product number | Bracket |
|----------------|--------------|
| 980/B0337 | Tool Carrier |
| 980/B0342 | Q-Fit |
| 980/B0339 | Pin & Cone |
| 980/B0362 | Manitou |
| 980/B0343 | Euro |
| 980/B0340 | Industrial |



Bolt on bracket options for universal shear grabs (to be ordered separately).

Grain Pusher

Designed to make optimum use of your grain store capacity. It has a 2286mm (90in) blade and a tubular frame for ultimate strength and minimum weight.

- This attachment is especially useful when operating over above-floor drying ducts
- Because there are no flat edges your grain can fall freely
- A tubular frame using high-tensile steel maximises strength and minimises weight
- Designed for ultimate performance, reliability and productivity, the JCB grain pusher is the only approved attachment of its type for JCB machines

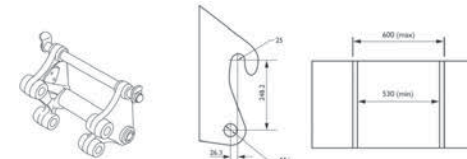
| Product name | Part number | Carriage pick up | Width (mm) | Size (Ft in) | Weight (kg) | Machine models |
|--------------|-------------|------------------|------------|--------------|-------------|----------------|
| GRP-QF-100 | 980/A9910 | Q-Fit | 2438 | 10 Ft | 440 | 3.1T - |
| GRP-QF-126 | 980/A9912 | Q-Fit | 2433 | 12 Ft 6in | 480 | 3.1T - |



Weld on Brackets

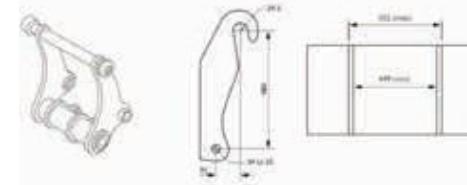
JCB Compact Tool Carrier

| Product number | Carriage |
|----------------|-------------------------------|
| 980/88043 | Blank location bracket (pair) |



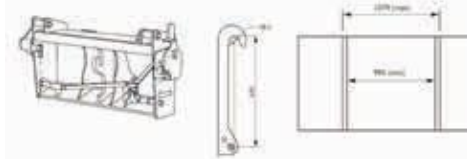
JCB Tool Carrier

| Product number | Carriage |
|----------------|-------------------------------|
| 980/44700 | Blank location bracket (pair) |



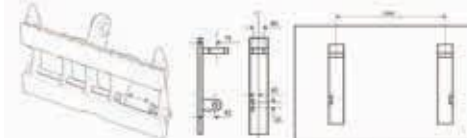
JCB Q-Fit

| Product number | Carriage |
|----------------|-------------------------------|
| 980/88042 | Blank location bracket (pair) |



Pin & Cone

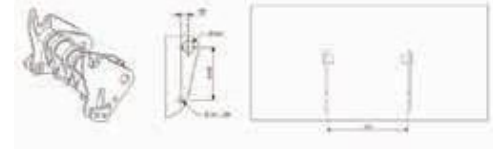
| Product number | Carriage |
|----------------|-------------------------------|
| 980/89852 | Blank location bracket (pair) |



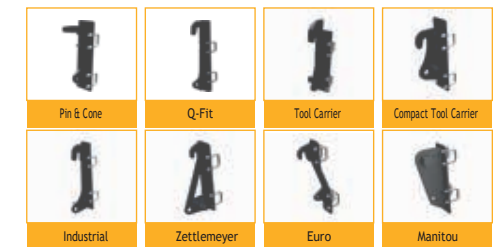
*Maintained by JCB Service.

Manitou

| Product number | Carriage |
|----------------|-------------------------------|
| 980/89867 | Blank location bracket (pair) |



Bolt on Brackets



| Product number | Bracket |
|----------------|----------------------|
| 980/B0338 | Compact Tool Carrier |
| 980/B0337 | Tool Carrier |
| 980/B0342 | Q-Fit |
| 980/B0339 | Pin & Cone |
| 980/B0362 | Manitou |
| 980/B0343 | Euro |
| 980/B0340 | Industrial |
| 980/B0341 | Zettlemeyer |

Headstocks

| Product number | Carriage | Description | Machine fitment |
|----------------|------------------|--------------|-----------------|
| 333/E7710* | Tool Carrier | Hydraulic | 526S |
| 333/C9387 | Tool Carrier | Manual | 536 |
| 332/F9726* | Std Tool Carrier | - | 527-58 |
| 160/13266 | Q-Fit | Manual | 526S |
| 980/89933 | Q-Fit | Hyd Lock Kit | 536 |
| 333/C4677 | Pin & Cone | Hydraulic | 530/536 |
| 160/14689 | Manitou | Manual | 530/536 |
| 160/14797* | Manitou | Hyd Lock Kit | 530/536 |

Light Equipment

A growing tide of opinion says that hydraulic powerpacks make better business sense than rival pneumatic or electric options. The combination of performance and a compact user-friendly design has ensured that the overall efficiency really is without comparison.

Not surprisingly, JCB is leading the way. We offer a comprehensive range of powerpacks, breakers and tools which set the standards by which others are judged.

Thanks to their far greater efficiency, JCB hydraulic powerpacks can deliver equal tool performance using a far smaller engine than found in a typical air compressor. Consequently, they are far more portable and fuel efficient. You can also trust them to get through a tremendous workload without encountering overheating problems.



Dumpster

The HTD5 is a compact, walk behind, high-tip, diesel-powered Dumpster designed by JCB to save you time, energy and money.

- Maximum machine width of just 690mm fits through a standard doorway
- 1450mm tip height tips directly into a skip or high sided vehicle
- High carrying capacity of 500kg lets you do more in less time
- CESAR Datatag option
- Pull-out engine gives you easy access for daily checks, servicing and maintenance
- Electric start as standard
- Lifting buzzer and bull bar available as options



NEW

JCB Attachments are pleased to announce the introduction of additional dumpsters to the existing range which will include an hour meter.



The benefit of the hour meter:

- Allows you to track use and wear
- Helps you plan your next service
- Improves your resale value with the ability to monitor maintenance
- The hour meter is great for rental customers - ensuring hire rates are correct for actual usage

| Model name | Dumpster | |
|--|--|------------|
| Part number | Specification | |
| 980/A3225 | without bull bar (UK) | |
| 980/A3226 | with bull bar (UK) | |
| 980/A3227 | without bull bar (non-UK) | |
| 980/A3228 | with bull bar (non-UK) | |
| 980/D1100 | with hour meter (UK only) | |
| 980/D2200 | with hour meter and bull bar (UK only) | |
| Maximum engine power | kW (hp) | 4.4 (5.9) |
| Maximum carry capacity | kg (lb) | 500 (1102) |
| Machine weight | kg (lb) | 515 (1135) |
| Maximum operating weight (with load) | kg (lb) | 975 (2150) |
| Maximum machine width | mm (ft-in) | 690 (2-3) |
| Overall height (transport position) | mm (ft-in) | 1100 (3-7) |
| Skip height (tipping position) | mm (ft-in) | 800 (2-7) |
| Maximum height (tipping position) | mm (ft-in) | 2720 (9-0) |
| Skip ground clearance (tipping position) | mm (ft-in) | 1450 (4-9) |
| Two speed tracking maximum speed | kph (mph) | 4 (2.5) |
| Fuel tank capacity | litres (in ³) | 4.3 (262) |

Powerpacks

A powerful and robust Powerpack yet still lightweight, ideally suited to the rigours of the rental market, this is the most popular Powerpack in the JCB range.

Also available with diesel engine.

- Unique suction circuit eliminates pulsation damage to cooler
- Lift up handle makes portability second to none
- Power-on-demand system that reduces off load engine speed to idle, giving reduced noise levels, less engine wear and lower fuel consumption
- Integral hose track prevents damage to hoses
- Swing open frame provides excellent maintenance access to engine and hydraulics
- Adjustable hydraulic flow gives precision control of tools



| Model name | Micro | Beaver | Beaver (diesel) | Beaver (electric start) |
|-------------------------|--------------------|-----------------|-----------------|-------------------------|
| Part number | 929/92200 | 929/16400 | 929/40043 | 929/40044 |
| Engine | Honda GX160 | Honda GX240 | Lombardini 15LD | Lombardini 15LD |
| Fuel | Petrol | Petrol | Diesel | Diesel |
| Power | hp 5.5 | 8 | 6.8 | 6.8 |
| EHTMA category | C | C | C | C |
| Hydraulic flow | l/min 0 - 20 | 0 - 20 | 0 - 20 | 0 - 20 |
| Max pressure | bar 87 | 138 | 138 | 138 |
| Weight | kg 45.5 | 66 | 83 | 92 |
| Height x width x length | mm 480 x 435 x 630 | 615 x 530 x 720 | 655 x 640 x 780 | 655 x 640 x 780 |
| Hydraulic oil capacity | l 3.3 | 5 | 5 | 5 |
| Fuel capacity | l 3.6 | 6 | 4.3 | 4.3 |
| Main hoses | m 5 | 7 | 7 | 7 |

Handheld Breakers

Pound for pound, blow for blow, the JCB range of breakers is the best for demolition and breaking work. They'll power their way through most jobs. Thanks to their excellent power-to-weight ratio, our breakers will give amongst the best performance of any type of breaker in their class.

- Vibro damped handles which give amongst the lowest vibration levels of any equivalent breaker
- Sealed hydraulic system resulting in low noise (no exhaust port) and elimination of freezing problems
- Very robust cast steel construction for maximum strength and durability
- High reliability and long service life, thanks to only having two moving parts and constant lubrication by hydraulic oil



| Model name | HM22 | HM25 | HM25LV | HM29 |
|------------------------|--|-----------|-----------|---|
| Part number | 929/92600 25mm chisel 929/92500 22mm chisel | 929/92400 | 929/A6000 | 929/92700 20l/min 929/92900 30 l/min |
| Weight | kg 21 | 26 | 27 | 29 |
| Tool / chisel size hex | mm 22 or 25 | 32 | 32 | 32 |
| Hydraulic flow | l/min 15 - 22 | 18 - 22 | 18 - 22 | 18 - 22 or 28 - 32 |
| Pressure range | bar 50 - 65 | 90 - 110 | 90 - 110 | 90 - 110 |
| Blow frequency | blows/min 1500 | 1500 | 1500 | 1500 |
| Vibration (BS6822-5) | m/s ² 3.4 | 4 | 1.6 | 5 |
| Sound power level dB | Lwa 106 | 108 | 108 | 108 |

Trash Pumps

Rugged durable range of submersible trash pumps used for pumping water with mud, leaves, twigs, sand, sewage and sludge in it. Used to handle matter that would clog most other pumps. Available in two different flow ranges 20 and 30 litre.

- Greater lift height than suction pumps
- Self priming and run dry
- Unique combi sealed - protects main pump seal
- 5000hrs sealed bearings - minimal maintenance required
- Removable wear plate - protects pump housing



| Model name | Trash pump | Trash pump |
|-------------------------|--------------|------------|
| Part number | 980/A4874 | 980/A4869 |
| Intake port | mm 102 | 102 |
| Discharge port BSP Male | mm 100 | 100 |
| Hyd. flow range | l/min 0 - 20 | 0 - 30 |
| Maximum discharge | l/min 2160 | 2640 |
| Maximum head | m 10.5 | 15 |
| Operating pressure | bar 138 | 138 |
| Weight | kg 32 | 32 |
| Width x height | mm 482 x 511 | 482 x 511 |
| EHTMA class | C | C |

Submersible Pumps

JCB offer two types of clear water submersible pump to suit two different hydraulic flow Powerpacks. They are self priming with high power-to-weight ratio. Being hydraulically driven, they are self lubricating and maintenance free and will run dry without damage.

- Flat faced quick-release dripless couplings for speed of attachment change
- Lifting eye to aid placement
- Self priming for speed of use
- Supplied with 10m x2in lay flat hose
- Capable of pumping solids in suspension up to 8mm (6/10in) diameter for extra versatility



| Model name | Submersible pump | Submersible pump |
|-------------------------|------------------|------------------|
| Part number | 929/03900 | 929/04500 |
| Discharge port BSP Male | mm 50 | 50 |
| Hyd. flow range | l/min 0 - 22 | 0 - 32 |
| Maximum discharge | l/min 700 | 820 |
| Maximum head | m 18 | 18 |
| Operating pressure | bar 138 | 138 |
| Weight | kg 8.2 | 8.5 |
| Width x height | mm 230 x 302 | 230 x 302 |
| EHTMA class | C | C |

Earth Drill

JCB hand held Earth Drills are capable of drilling holes from 102mm (4in) up to 305mm (12in) in diameter, depending on the size of the auger flight fitted. Thanks to its hydraulic drive, this unit has more torque than most petrol engine units, making it strictly a two-man operation.



- Automatic return to neutral safety device
- Reversible for powering out of ground
- Diameter hole capacity from 102 to 305mm

Optional Items

- Various diameter auger flights
- Fittings, couplings, adapters
- Extension flights

| | | |
|---------------|-------------|-------------------------|
| Model name | Earth drill | |
| Part number | 929/13400 | |
| Capacity | mm | 305 |
| Hole depth | mm | 1220 |
| Auger flights | mm | 100, 150, 200, 250, 305 |
| Torque | Nm | 295 |
| RPM | l/min | 136 @ 20 |
| Weight | kg | 15 |
| Height | mm | 1295 |
| Max. pressure | bar | 138 |
| Optimal flow | l/min | 15 - 23 Class C |

Impact Wrench

JCB ¾in and 1in drive impact wrenches provide the extra power and torque necessary for heavyduty jobs. The powerful, efficient, reversible tool is ideal for general tightening or untightening duties.

- Adjustable torque control
- Twin hammer design
- Needle bearing, rugged gear motor design for long life



| | | |
|-------------------------|---------------|---------------------|
| Model name | Impact wrench | |
| Part number | 5114 | |
| Capacity | ¾" Drive | |
| RPM | 2700 | |
| Flow range | l/min | 15 - 45 Class C & D |
| Operating pressure | bar | 70 - 141 |
| Weight | kg | 5.6 |
| Height x width x length | mm | 246 x 95 x 297 |

Compact Excavator Range

JCB's range of mini and midi excavator equipment is expanding and so are the attachments to compliment this range. JCB attachments allow you to tailor your machine to suit a variety of applications. The following pages details our range of 8008 - 8026 attachments that are now available from your agricultural dealer.



Manual Hitches

- Increases safety and reduces operator effort when changing buckets and attachments
- Durable design, with hardened steel jaws that keep wear to a minimum
- Mechanically operated with spring loaded lock released by use of a tommy bar
- High visibility safety lock pin prevents accidental loss of bucket or attachment



| Product name | Operation | Weight (kg) | Pin diameter (mm) | Machine models |
|--------------|-----------|-------------|-------------------|-----------------------|
| 980/88424 | Manual | 12 | 25 | Micro Plus, 8010-8020 |
| 980/B4000 | Manual | 14 | 30 | 15C, 16C, 18Z, 19C |
| 980/88451 | Manual | 37 | 35 | 8025 |

Hydraulic Hitches

- Reduces down time to change attachment and ensures optimum attachment is easily fitted
- Two independent locking mechanisms ensure the attachment is held safely ensuring operator safety
- Fully controlled from within the cab with boom position sensors to ensure operation within a safe zone
- CE marked and tested for use on JCB Compact Excavators



| Product name | Operation | Weight (kg) | Pin diameter (mm) | Machine models |
|--------------|-------------|-------------|-------------------|----------------|
| 980/B6000 | Hydraulic** | 97 | 30 | 19C* |

Conversion Hitches

| Product name | Operation | Weight (kg) | Machine pin diameter (mm) | Attachment pin diameter (mm) | Machine models |
|--------------|-----------|-------------|---------------------------|------------------------------|--------------------|
| 980/B5000 | Manual** | 13 | 30 | 25 | 15C, 16C, 18Z, 19C |

Conversion Brackets

| Product name | Operation | Weight (kg) | Machine pin diameter (mm) | Attachment pin diameter (mm) | Machine models |
|--------------|-------------------|-------------|---------------------------|------------------------------|--------------------|
| 400/T6913 | Conversion 801X | 10.5 | 30 | 25 | 15C, 16C, 18Z, 19C |
| 400/T7138 | Conversion Kubota | 10.4 | 30 | 30 | 15C, 16C, 18Z, 19C |

*Only compatible with the e-prop 19C machine model. **Requires compatible hydraulic service, see Service Parts Pro for details.

General Purpose Buckets

- A rolled top section increases structural integrity
- Replaceable wear parts increase durability and extend the working life
- Pivot pins/kits available to enable quickhitch mounting for increased productivity



| Part number no pins | Part number with pins | Outer width (mm) | Capacity (m ³) | Weight excluding pins (kg) | Pin size | Machine models |
|---------------------|-----------------------|------------------|----------------------------|----------------------------|----------|--------------------|
| 239/00187* | 980/A0326 | 150 | 0.008 | 12 | 25 | Micro 8008 |
| 239/00188 | 980/A0327 | 230 | 0.012 | 17 | 25 | Micro 8008 |
| 239/00189 | 980/A0328 | 300 | 0.018 | 19 | 25 | Micro 8008 |
| 239/00204 | 980/A0329 | 400 | 0.026 | 23 | 25 | Micro 8008 |
| 522/07200 | 980/A0331 | 160 | 0.009 | 20 | 25 | 8010 to 8020 |
| 522/00100 | 980/A0332 | 230 | 0.014 | 25 | 25 | 8010 to 8020 |
| 522/00300 | 980/A0333 | 300 | 0.019 | 28 | 25 | 8010 to 8020 |
| 522/00500 | 980/A0334 | 400 | 0.026 | 33 | 25 | 8010 to 8020 |
| 522/01100 | 980/A0335 | 450 | 0.041 | 40 | 25 | 8010 to 8020 |
| 522/00700 | 980/A0336 | 600 | 0.046 | 47 | 25 | 8010 to 8020 |
| 980/B0508 | 980/B0521 | 150 | 0.011 | 19 | 30 | 15C, 16C, 18Z, 19C |
| 980/B0435 | 980/B0522 | 230 | 0.02 | 20 | 30 | 15C, 16C, 18Z, 19C |
| 980/B0436 | 980/B0523 | 300 | 0.027 | 22 | 30 | 15C, 16C, 18Z, 19C |
| 980/B0437 | 980/B0524 | 400 | 0.039 | 26.3 | 30 | 15C, 16C, 18Z, 19C |
| 980/B0438 | 980/B0525 | 450 | 0.044 | 27.9 | 30 | 15C, 16C, 18Z, 19C |
| 980/B0439 | 980/B0526 | 600 | 0.061 | 33.7 | 30 | 15C, 16C, 18Z, 19C |
| 980/90468 | 980/A0338 | 230 | 0.023 | 48 | 35 | 8024 to 8026** |
| 980/90469 | 980/A0339 | 300 | 0.033 | 58 | 35 | 8024 to 8026** |
| 980/90470 | 980/A0340 | 460 | 0.054 | 71 | 35 | 8024 to 8026** |
| 980/90471 | 980/A0341 | 600 | 0.074 | 86 | 35 | 8024 to 8026** |
| 980/90472 | 980/A0342 | 760 | 0.094 | 100 | 35 | 8024 to 8026** |
| 522/01800*** | - | 305 | 0.52 | 49 | 35 | 8024 to 8026** |

Bladed Buckets



| Part number with pins | Outer width (mm) | Capacity (m ³) | Weight excluding pins (kg) | Pin size | Machine models |
|-----------------------|------------------|----------------------------|----------------------------|----------|--------------------|
| 980/B0501 | 150 | 0.011 | 20.4 | 30 | 15C, 16C, 18Z, 19C |
| 980/B0502 | 230 | 0.02 | 22.8 | 30 | 15C, 16C, 18Z, 19C |
| 980/B0503 | 300 | 0.027 | 25.8 | 30 | 15C, 16C, 18Z, 19C |
| 980/B0504 | 400 | 0.039 | 30.1 | 30 | 15C, 16C, 18Z, 19C |
| 980/B0505 | 460 | 0.044 | 32.3 | 30 | 15C, 16C, 18Z, 19C |
| 980/B0506 | 610 | 0.061 | 38.7 | 30 | 15C, 16C, 18Z, 19C |

*Requires 2 x bucket pins 522/03301. **Optional weld in bucket pins 980/86023. ***Square hole bucket.

Dedicated Quickhitch Buckets

- Purpose designed for use with a quickhitch
- Pins set close to bucket shell boost tear out performance
- Long, flat base improves bottom trenching and load retention



| Part number with pins | Outer width (mm) | Capacity (m ³) | Weight excluding pins (kg) | Pin size | Machine models |
|-----------------------|------------------|----------------------------|----------------------------|----------|----------------|
| 980/90598 | 230 (9) | 0.022 | 43 | 35 | 8024 to 8026 |
| 980/90599 | 305 (12) | 0.033 | 51 | 35 | 8024 to 8026 |
| 980/90600 | 450 (17.7) | 0.057 | 54 | 35 | 8024 to 8026 |
| 980/90601 | 600 (23.6) | 0.08 | 64 | 35 | 8024 to 8026 |
| 980/90602 | 750 (29.5) | 0.103 | 75 | 35 | 8024 to 8026 |

Ditch Maintenance Buckets

- A central reinforcing plate gives added strength and rigidity
- A rolled top section increases structural integrity
- Drainage holes on ditch maintenance buckets allow water to escape, giving a better fill factor



| Part number no pins | Part number with pins | Outer width (mm) | Capacity (m ³) | Weight excluding pins (kg) | Pin size | Machine models |
|---------------------|-----------------------|------------------|----------------------------|----------------------------|----------|--------------------|
| 239/00190 | 980/A0330 | 700 | 0.026 | 32 | 25 | Micro 8008 |
| 522/06400 | - | 750 | 0.044 | 40 | 25 | 8010 |
| 522/06400 | - | 750 | 0.044 | 40.4 | 25 | 8014 to 8020 |
| 522/00900 | 980/A0337 | 900 | 0.078 | 46 | 25 | 8014 to 8020 |
| 522/01600 | - | 1000 | 0.087 | 50 | 25 | 8014 to 8020 |
| 980/B0107 | - | 760 | 0.067 | 36.8 | 30 | 15C, 16C, 18Z, 19C |
| 980/B0108 | - | 1000 | 0.091 | 44.9 | 30 | 15C, 16C, 18Z, 19C |
| 980/90506 | 980/A0343 | 1000 | 0.076 | 78 | 30 | 8024 to 8026 |
| 980/A0540* | - | 1000 | 0.098 | 57 | 30 | 8024 to 8026 |
| 522/04800 | - | 1200 | 0.212 | 127.3 | 30 | 8024 to 8026 |
| 522/04900 | - | 1200 | 0.131 | 100.4 | 30 | 8024 to 8026 |

*Quickhitch only.

Earth Drills

- For accurate and precise drilling of fence and post holes
- The heavy duty gearbox and compact, powerful drive head
- Complete with hanger bracket and connection hoses



| Part number | Maximum flight diameter (mm) | Torque (Nm) | Weight (kg) | Pin size | Machine models |
|-------------|------------------------------|-------------|-------------|----------|--------------------|
| 980/A4162* | 300 | 1500 | 59.4 | 25 | Micro 8008 |
| 980/B3202 | 460 | 1500 | 63.8 | 30 | 15C, 16C, 18Z, 19C |
| 980/A4309 | 760 | 3500 | 130 | 35 | 8024 to 8026 |

Flight Options

| Model name | Diameter (mm) | Weight (kg) |
|---|---------------|-------------|
| STANDARD FLIGHTS (SHORT): 1000mm long, bolt-on teeth, for light to moderate ground conditions | | |
| 980/A2020 | 160 | 15 |
| 980/A2021 | 230 | 28 |
| 980/A2024 | 300 | 38 |
| 980/A2026 | 380 | 45 |
| STANDARD FLIGHTS: 1200mm long, bolt on teeth, for light to moderate ground conditions | | |
| 980/A2019 | 160 | 19 |
| 980/A2022 | 230 | 39 |
| 980/A2023 | 300 | 52 |
| 980/A2025 | 380 | 60 |
| 980/A2027 | 460 | 80 |
| 980/A2028 | 600 | 12 |
| 980/A2029 | 760 | 14 |
| 980/A2030 | 900 | 20 |
| HEAVY DUTY FLIGHTS: 1200mm long, socketed teeth, for difficult ground conditions: compacted soils, heavy clay, asphalt, frozen ground and fracturable rock | | |
| 980/A2031 | 230 | 45 |
| 980/A2032 | 300 | 58 |
| 980/A2034 | 380 | 63 |
| 980/A2035 | 460 | 92 |
| 980/A2037 | 600 | 124 |
| 980/A2038 | 760 | 141 |
| 980/A2039 | 900 | 195 |
| ROCK DUTY FLIGHT: 1200mm long, carbide bullet style teeth, for solid, fracturable rock, frozen ground and compacted soils | | |
| 980/A2040 | 300 | 49 |
| 980/A2042 | 460 | 91 |
| Adjustable extension bar, up to 1000mm | | |
| 980/A2043 | - | - |

Standard Duty



Heavy Duty



Rock Duty



Professional Breakers

The professional breaker range has been designed and built with to withstand the more arduous breaking tasks. These breakers are able to power through even the toughest of applications, living up to the expectations set by the professional range.

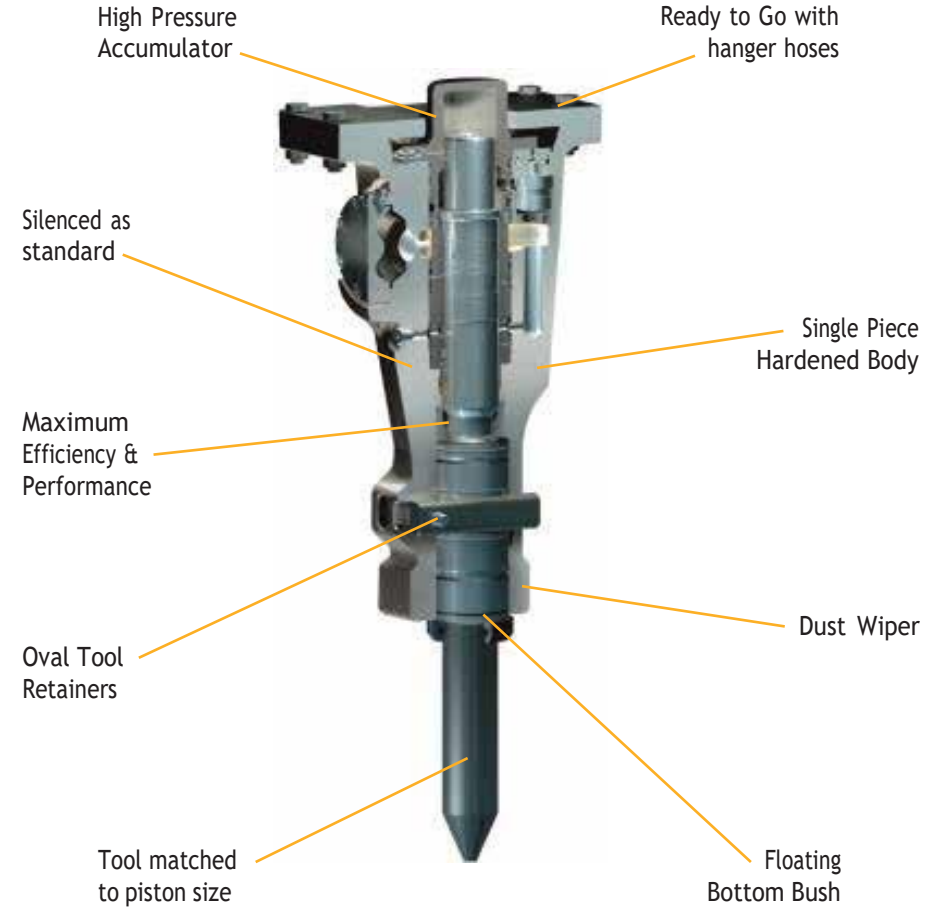
- Supplied 'ready to go' with hoses, hanger bracket,moil and chisel tools. No hanger brackets or hoses on universal models
- Solid body design provides maximum strength with lower weight
- Durable design with low maintenance accumulator helps reduce maintenance costs
- Exact match of tool and piston diameter maximises blow energy transfer
- Energy not absorbed by the material being broken is used to lift the tool which pressurises the accumulator ready for the next blow. Reusing this energy increases impact force and reduces running costs
- Class leading power to weight ratio
- Silenced as standard to reduce noise pollution



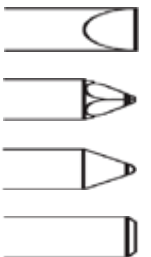
3YEAR
JCB STANDARD WARRANTY

| Model | Part number | Pick up mount | Pin size | Operating weight (kg) | Blow rate (bpm) | Tool diameter (mm) | Oil flow (l/min) | Pressure (bar) | Impact energy (j) | Noise level (dBA) | Carrier weight (tonnes) | Machine models |
|--------|-------------|---------------|----------|-----------------------|-----------------|--------------------|------------------|----------------|-------------------|-------------------|-------------------------|--------------------|
| HM100Q | 980/88320 | Top | 25 | 115 | 900 - 1320 | 45 | 15 - 32 | 160 | 170 | 119 | 0.5 - 2.0 | Micro 8008 to 8018 |
| HM100Q | 980/H6662 | Top | 30 | 115 | 900 - 1320 | 45 | 15 - 32 | 160 | 170 | 119 | 0.5 - 2.0 | 15C, 16C, 18Z, 19C |
| HM140Q | 980/A4685 | Side | 30 | 127 | 960 - 1320 | 50 | 15 - 40 | 210 | 240 | 124 | 1.5 - 4.0 | 15C, 16C, 18Z, 19C |
| HM140Q | 980/A4408 | Side | 35 | 127 | 960 - 1320 | 50 | 15 - 40 | 210 | 240 | 124 | 1.5 - 4.0 | 8020 to 8026 |
| HM166Q | 980/A7840 | Universal* | - | 162 | 1020 - 1750 | 50 | 40 - 60 | 100 - 150 | 252 | 86 | 1.2 - 3.2 | Universal |

*No hanger brackets or hoses.



| Breaker tools | |
|--|-----------|
| Breaker model | HM266Q |
| Moil | 331/52394 |
| Chisel (cross cut/H) | 331/52395 |
| Wide transverse chisel (wedge in line/V) | 331/52397 |
| Blunt (flat end) | 331/52398 |
| Wide chisel | 331/52396 |
| Asphalt cutter | 331/52399 |
| Asphalt cutter transverse | 331/52400 |



Contractor Breakers

Our contractor breaker range has been designed where overall project cost is key, they offer unrivalled value for money to the rental and construction sectors. These versatile breakers are fully approved and tested for flow, pressure, compatibility and fitment as part of every machine development programme we carry out.

- Stroke adjusters on the HM054T allow operators to adjust the tool speed and stroke length for increased productivity
- Accumulators ensure that machines are completely protected from hydraulic pressure spikes
- Internal control valves deliver higher efficiency and are far less vulnerable than competitors products featuring external units
- Available as side mount, top mount or universal for non JCB machinery
- Vibro isolation rubber buffers absorb repercussion from hammering to reduce damage to the carrier
- Twin oval tool retaining pins deliver double the service life of a standard pin
- Rock claw with anti abrasion tool made from hardox steel for shifting material in readiness for breaking
- Moil & chisel tool provided as standard
- Topped up using hand held grease gun
- Comes with gas charging kit unless stated otherwise



| Model | Part number | Pick up mount | Pin size | Operating weight (kg) | Blow rate (bpm) | Tool diameter (mm) | Oil flow (l/min) | Pressure (bar) | Impact energy (j) | Noise level (dBA) | Carrier weight (tonnes) | Machine models |
|--------|-------------|---------------|----------|-----------------------|-----------------|--------------------|------------------|----------------|-------------------|-------------------|-------------------------|--------------------|
| HM012T | 980/A6283 | Side | 25 | 120 | 800 - 1400 | 40 | 12 - 25 | 90 - 120 | 300 | 110 | 0.5 - 2.0 | Micro 8008 to 8018 |
| HM012T | 980/B5211 | Top | 30 | 120 | 800 - 1400 | 40 | 12 - 25 | 90 - 120 | 300 | 110 | 0.5 - 2.0 | 15C, 16C, 18Z, 19C |
| HM012T | 980/A6282 | Universal* | 25 | 120 | 800 - 1400 | 40 | 12 - 25 | 90 - 120 | 300 | 110 | 0.5 - 2.0 | Universal |
| HM018T | 980/B0260 | Top | 30 | 187 | 600 - 1500 | 57 | 23 - 70 | 90 - 120 | 560 | 125 | 1.5 - 4.0 | 8020 to 8026 |
| HM018T | 980/B0261 | Top | 30 | 187 | 600 - 1500 | 57 | 23 - 70 | 90 - 120 | 560 | 125 | 1.5 - 4.0 | 8020 |
| HM018T | 980/B0262 | Universal* | 30 | 187 | 600 - 1500 | 57 | 23 - 70 | 90 - 120 | 560 | 125 | 1.5 - 4.0 | Universal |

Breaker tools

| Breaker model | HM012T | HM018T |
|-------------------------------------|-----------|-----------|
| Moil | 333/G3316 | 334/C6976 |
| Chisel (cross cut/H) | 333/G4283 | 334/C6978 |
| Transverse chisel (wedge in line/V) | - | 335/H7422 |
| Blunt (flat end) | - | 335/H7423 |

*No hanger brackets or hoses.



3YEAR
JCB STANDARD WARRANTY

Skid Steer Range

JCB range of attachments gives you ultimate versatility to your Skid Steer Loader. From shovels to sweepers and snow blades to patch planers, optional JCB 7-way multi-function joysticks allow you to easily use any of them to their full potential. This means you can use your JCB skid steer all year round from landscaping to snow clearing. Regardless of what attachments you choose, you can rest assured they've been designed to stringent JCB standards and built to perfectly complement your machine.



Augers

- Sealed planetary gear reduction with heavy-duty gear design provides long life and minimal maintenance with low service costs
- Reverse rotation for quickback out, which aids in shedding material from the auger bit
- Hydraulic relief valve protects the unit from damage if auger comes in to contact with a large immovable object



| Part number | Model | Flow demand | Torque at 172 bar (Nm) | | | | | | | | | | | | | | | | | |
|---|---------------|-------------|------------------------|-----|-----|-----|-----|-----|------|------|------|---------|---------|-----|-----|-----|-----------|-----------|------|------|
| | | | | 135 | 155 | 175 | 190 | 205 | 150T | 190T | 205T | 225/250 | 260/270 | 280 | 300 | 330 | 225T/250T | 260T/270T | 300T | 320T |
| 332/L3978 | PASF | standard | 2700 | • | • | • | • | • | • | • | • | • | • | • | • | • | • | • | • | • |
| 332/L3979 | PAHF | high | 4900 | • | • | • | • | • | • | • | • | • | • | • | • | • | • | • | • | • |
| AUGER BITS 1200mm long, 2in hex drive, bolt-on teeth, for light to moderate ground conditions | | | | | | | | | | | | | | | | | | | | |
| STANDARD DUTY bolt-on teeth, for light to moderate ground conditions | | | | | | | | | | | | | | | | | | | | |
| Part number | Diameter (mm) | | | | | | | | | | | | | | | | | | | |
| 980/A2019 | 150 | • | • | • | • | • | • | • | • | • | • | • | • | • | • | • | • | • | • | |
| 980/A2021 | 230 | • | • | • | • | • | • | • | • | • | • | • | • | • | • | • | • | • | • | |
| 980/A2023 | 305 | • | • | • | • | • | • | • | • | • | • | • | • | • | • | • | • | • | • | |
| 980/A2025 | 380 | • | • | • | • | • | • | • | • | • | • | • | • | • | • | • | • | • | • | |
| 980/A2027 | 460 | • | • | • | • | • | • | • | • | • | • | • | • | • | • | • | • | • | • | |
| 980/A2028 | 610 | • | • | • | • | • | • | • | • | • | • | • | • | • | • | • | • | • | • | |
| 980/A2029 | 760 | • | • | • | • | • | • | • | • | • | • | • | • | • | • | • | • | • | • | |
| 980/A2030 | 915 | • | • | • | • | • | • | • | • | • | • | • | • | • | • | • | • | • | • | |
| HEAVY DUTY socketed teeth, for difficult ground conditions: compacted soils, heavy clay, asphalt, frozen ground and fracturable rock | | | | | | | | | | | | | | | | | | | | |
| 980/A3001 | 150 | • | • | • | • | • | • | • | • | • | • | • | • | • | • | • | • | • | • | |
| 980/A2031 | 230 | • | • | • | • | • | • | • | • | • | • | • | • | • | • | • | • | • | • | |
| 980/A2032 | 305 | • | • | • | • | • | • | • | • | • | • | • | • | • | • | • | • | • | • | |
| 980/A2034 | 380 | • | • | • | • | • | • | • | • | • | • | • | • | • | • | • | • | • | • | |
| 980/A2035 | 460 | • | • | • | • | • | • | • | • | • | • | • | • | • | • | • | • | • | • | |
| 980/A2037 | 610 | • | • | • | • | • | • | • | • | • | • | • | • | • | • | • | • | • | • | |
| 980/A2038 | 760 | • | • | • | • | • | • | • | • | • | • | • | • | • | • | • | • | • | • | |
| 980/A2039 | 915 | • | • | • | • | • | • | • | • | • | • | • | • | • | • | • | • | • | • | |
| TREE AND SHRUB bolt-on teeth, pilot flight for tree and shrub planting | | | | | | | | | | | | | | | | | | | | |
| 980/L7251 | 460 | • | • | • | • | • | • | • | • | • | • | • | • | • | • | • | • | • | • | |
| 980/L7257 | 610 | • | • | • | • | • | • | • | • | • | • | • | • | • | • | • | • | • | • | |
| 980/L7267 | 760 | • | • | • | • | • | • | • | • | • | • | • | • | • | • | • | • | • | • | |
| 980/L7270 | 915 | • | • | • | • | • | • | • | • | • | • | • | • | • | • | • | • | • | • | |
| AUGER BITS 1200mm long, 2in hex drive, bolt-on teeth, for light to moderate ground conditions | | | | | | | | | | | | | | | | | | | | |
| Part number | Length (mm) | | | | | | | | | | | | | | | | | | | |
| 980/L7271 | 305 | • | • | • | • | • | • | • | • | • | • | • | • | • | • | • | • | • | • | |
| 980/L7272 | 460 | • | • | • | • | • | • | • | • | • | • | • | • | • | • | • | • | • | • | |
| 980/L7273 | 610 | • | • | • | • | • | • | • | • | • | • | • | • | • | • | • | • | • | • | |

Bale Spear

- Heavy-duty frame with replaceable tines
- Designed to keep bales close to machine for safe handling
- Load guard protects and stabilizes the load



| Part number | Model | 135 | 155 | 175 | 190 | 205 | 150T | 190T | 205T | 225/250 | 260/270 | 280 | 300 | 330 | 3T5-8W/Ret.* | 3T5-8W/Ext.* | 225T/250T | 260T/270T | 300T | 320T |
|-------------|-------|-----|-----|-----|-----|-----|------|------|------|---------|---------|-----|-----|-----|--------------|--------------|-----------|-----------|------|------|
| 332/L5627 | BSP | • | • | • | • | • | • | • | • | • | • | • | • | • | • | • | • | • | • | • |

Sweeper Collectors

- 50/50 poly wire brush segments for long-term durability
- Heavy-duty one piece canopy for superior structural strength
- Optional water kit and gutter brush available
- Large diameter drive shaft and generous bearings for increased durability
- Operates in forward or reverse direction increasing productivity



| Part number | Model | Operating width (mm) | Hopper capacity (m³) | 135 | 155 | 175 | 190 | 205 | 150T | 190T | 205T | 225/250 | 260/270 | 280 | 300 | 330 | 225T/250T | 260T/270T | 300T | 320T |
|-------------|-------|----------------------|----------------------|-----|-----|-----|-----|-----|------|------|------|---------|---------|-----|-----|-----|-----------|-----------|------|------|
| 980/A7495 | SC150 | 1525 | 0.46 | • | • | • | • | • | • | • | • | • | • | • | • | • | • | • | • | • |
| 980/A7496 | SC180 | 1850 | 0.50 | • | • | • | • | • | • | • | • | • | • | • | • | • | • | • | • | • |
| 980/A1295 | SC214 | 2140 | 0.64 | • | • | • | • | • | • | • | • | • | • | • | • | • | • | • | • | • |

*Ret.- Retracted. Ext.- Extended.

Angle Brooms

- 813mm diameter poly wire brush provides long-term durability
- Bristle replacement is simplified thanks to the drive motor detaching from the core with no need to disconnect hydraulic lines
- Reinforced hood design provides maximum strength at the end of the hood where high stress may occur
- Fold away storage stands protect bristles from flattening when not in use



| Part number | Model | Operating width straight (mm) | Operating width 30° (mm) | 135 | 155 | 175 | 190 | 205 | 150T | 190T | 205T | 225/250 | 260/270 | 280 | 300 | 330 | 225T/250T | 260T/270T | 300T | 320T |
|--|---|-------------------------------|--------------------------|-----|-----|-----|-----|-----|------|------|------|---------|---------|-----|-----|-----|-----------|-----------|------|------|
| 332/X2465 | BR60 | 1520 | 1320 | • | • | • | • | • | • | • | • | • | • | • | • | • | • | • | • | • |
| 332/L3992 | BR72 | 1830 | 1585 | • | • | • | • | • | • | • | • | • | • | • | • | • | • | • | • | • |
| 332/L4027 | BR84 | 2030 | 1850 | • | • | • | • | • | • | • | • | • | • | • | • | • | • | • | • | • |
| HYDRAULIC ANGLE KIT - ANGLE BROOM | | | | | | | | | | | | | | | | | | | | |
| 332/L3983 | Hydraulic Angle Kit for Angle Broom (Requires Optional 7 Way Joysticks) | | | • | • | • | • | • | • | • | • | • | • | • | • | • | • | • | • | • |

Brush Cutters (Requires additional guarding)

- High speed, dual rotation blades cut and mulch heavy brush up to 100mm in diameter
- Access ports and hinged shrouding for easy routine maintenance
- 6 mm steel deck with reinforced side plates provide high strength and durability
- Stump jumper feature protects gearbox in the event of a sudden impact
- High deck clearance and unobstructed deck design prevents debris build up and improves overall performance
- Blade-stall indicator allows blade speed monitoring



| Part number | Model | Flow demand | Overall width (mm) | Cutting width (mm) | 135 | 155 | 175 | 190 | 205 | 150T | 190T | 205T | 225/250 | 260/270 | 280 | 300 | 330 | 3T5-8W/Ret.* | 225T/250T | 260T/270T | 300T | 320T |
|-------------|--------|-------------|--------------------|--------------------|-----|-----|-----|-----|-----|------|------|------|---------|---------|-----|-----|-----|--------------|-----------|-----------|------|------|
| 332/X4291 | BC72 | Standard | 2160 | 1830 | • | • | • | • | • | • | • | • | • | • | • | • | • | • | • | • | • | • |
| 332/X4292 | BC72HF | High | 2160 | 1830 | • | • | • | • | • | • | • | • | • | • | • | • | • | • | • | • | • | • |
| 332/X4293 | BC78HF | High | 2310 | 1980 | • | • | • | • | • | • | • | • | • | • | • | • | • | • | • | • | • | • |

*Ret.- Retracted.

Dirt/General Purpose Shovels

- Shorter bucket floor provides maximum breakout forces with great visibility to the cutting edge



| Part number | Model | Width (mm) | Length (mm) | Height (mm) | Weight (kg) | Capacity (m³) | | | | | | | | | | | | | | | | | | | | | | | | | | | | |
|-------------|-------|------------|-------------|-------------|-------------|---------------|-----|-----|-----|-----|-----|------|------|------|---------|---------|-----|-----|-----|--------------|-----------|-----------|------|------|---|---|---|---|---|---|---|---|---|---|
| | | | | | | | 135 | 155 | 175 | 190 | 205 | 150T | 190T | 205T | 225/250 | 260/270 | 280 | 300 | 330 | 315-8W/Ret.* | 225T/250T | 260T/270T | 300T | 320T | | | | | | | | | | |
| 333/L8800 | DB54 | 1370 | 797 | 515 | 136 | 0.35 | • | | | | | | | | | | | | | | | | | | | | | | | | | | | |
| 333/L8803 | DB60 | 1520 | 797 | 515 | 150 | 0.36 | • | • | • | • | • | | | | | | | | | | | | | | | | | | | | | | | |
| 332/X3184 | DB66 | 1680 | 833 | 521 | 200 | 0.39 | • | • | • | • | • | | | | | | | | | | | | | | | | | | | | | | | |
| 333/L4683 | DB68 | 1730 | 833 | 521 | 205 | 0.41 | • | • | • | • | • | | | | | | | | | | | | | | | | | | | | | | | |
| 332/L1798 | DB72 | 1830 | 833 | 521 | 213 | 0.43 | | | | | | • | • | • | • | • | • | • | • | • | • | • | • | • | • | • | • | • | • | • | • | • | • | |
| 333/L4684 | DB75 | 1910 | 833 | 523 | 236 | 0.45 | | | | | | | | | | | | | | | | • | • | • | • | • | • | • | • | • | • | • | • | |
| 332/X3180 | DB78 | 1980 | 833 | 521 | 245 | 0.47 | | | | | | | | | | | | | | | | • | • | • | • | • | • | • | • | • | • | • | • | |
| 332/L1825 | DB84 | 2130 | 833 | 521 | 260 | 0.50 | | | | | | | | | | | | | | | | • | • | • | • | • | • | • | • | • | • | • | • | • |

6-in-1 Shovels

- 6-in-1 multi-purpose buckets let you dig, load, spread, grade, grab and doze - all with one tool



| Part number | Model | Width (mm) | Length (mm) | Height (mm) | Weight (kg) | Capacity (m³) | | | | | | | | | | | | | | | | | | | | | | | | | | | | | |
|-------------|-------|------------|-------------|-------------|-------------|---------------|-----|-----|-----|-----|-----|------|------|------|---------|---------|-----|-----|-----|-----------|-----------|------|------|---|---|---|---|---|---|---|---|---|---|---|---|
| | | | | | | | 135 | 155 | 175 | 190 | 205 | 150T | 190T | 205T | 225/250 | 260/270 | 280 | 300 | 330 | 225T/250T | 260T/270T | 300T | 320T | | | | | | | | | | | | |
| 333/L9488 | MPB60 | 1520 | 869 | 688 | 202 | 0.34 | • | • | • | • | • | | | | | | | | | | | | | | | | | | | | | | | | |
| 332/X4315 | MPB66 | 1680 | 874 | 693 | 259 | 0.44 | • | • | • | • | • | | | | | | | | | | | | | | | | | | | | | | | | |
| 332/L3338 | MPB72 | 1830 | 953 | 701 | 351 | 0.57 | | | | | | • | • | • | • | • | • | • | • | • | • | • | • | • | • | • | • | • | • | • | • | • | • | • | • |
| 332/L3339 | MPB78 | 1980 | 965 | 709 | 381 | 0.64 | | | | | | | | | | | | | | | | • | • | • | • | • | • | • | • | • | • | • | • | • | • |
| 332/L3340 | MPB84 | 2130 | 965 | 709 | 401 | 0.66 | | | | | | | | | | | | | | | | • | • | • | • | • | • | • | • | • | • | • | • | • | • |

*Ret.- Retracted.

Light Material Shovels

- High capacity buckets for rehandling and transporting lightweight materials



| Part number | Model | Width (mm) | Length (mm) | Height (mm) | Weight (kg) | Capacity (m³) | | | | | | | | | | | | | | | | | | | | | | | | | | | | | |
|-------------|-------|------------|-------------|-------------|-------------|---------------|-----|-----|-----|-----|-----|------|------|------|---------|---------|-----|-----|-----|--------------|--------------|-----------|-----------|------|------|---|---|---|---|---|---|---|---|---|---|
| | | | | | | | 135 | 155 | 175 | 190 | 205 | 150T | 190T | 205T | 225/250 | 260/270 | 280 | 300 | 330 | 315-8W/Ret.* | 315-8W/Ext.* | 225T/250T | 260T/270T | 300T | 320T | | | | | | | | | | |
| 332/L1829 | LMB75 | 1910 | 925 | 627 | 287 | 0.59 | | | | | | • | • | • | • | • | • | • | • | • | • | • | • | • | • | • | • | • | • | • | • | • | • | • | |
| 332/L1830 | LMB84 | 2130 | 965 | 635 | 331 | 0.75 | | | | | | | | | | | | | | | | | • | • | • | • | • | • | • | • | • | • | • | • | • |
| 332/L1831 | HCB84 | 2130 | 1041 | 904 | 336 | 1.24 | | | | | | | | | | | | | | | | | | • | • | • | • | • | • | • | • | • | • | • | • |
| 332/L1834 | HCB96 | 2440 | 1087 | 922 | 399 | 1.56 | | | | | | | | | | | | | | | | | | | • | • | • | • | • | • | • | • | • | • | • |

Snow Shovels

- High volume buckets for snow removal with cut out back plate for good visibility to bucket edge



| Part number | Model | Width (mm) | Length (mm) | Height (mm) | Weight (kg) | Capacity (m³) | | | | | | | | | | | | | | | | | | | | | | | | | | | | | | |
|-------------|--------|------------|-------------|-------------|-------------|---------------|-----|-----|-----|-----|-----|------|------|------|---------|---------|-----|-----|-----|--------------|--------------|-----------|-----------|------|------|--|--|--|--|--|--|--|--|--|--|--|
| | | | | | | | 135 | 155 | 175 | 190 | 205 | 150T | 190T | 205T | 225/250 | 260/270 | 280 | 300 | 330 | 315-8W/Ret.* | 315-8W/Ext.* | 225T/250T | 260T/270T | 300T | 320T | | | | | | | | | | | |
| 332/X2435 | MSB54 | 1370 | 1148 | 790 | 247 | 0.71 | • | | | | | | | | | | | | | | | | | | | | | | | | | | | | | |
| 332/X2453 | MSB66 | 1680 | 1148 | 790 | 281 | 0.8 | • | • | • | • | • | | | | | | | | | | | | | | | | | | | | | | | | | |
| 332/X4311 | MSB84 | 2130 | 1148 | 790 | 335 | 1.12 | | | | | | | | | | | | | | | | | | | | | | | | | | | | | | |
| 332/X4312 | MSB96 | 2440 | 1148 | 790 | 367 | 1.3 | | | | | | | | | | | | | | | | | | | | | | | | | | | | | | |
| 332/X4313 | HSB96 | 2440 | 1288 | 985 | 451 | 1.8 | | | | | | | | | | | | | | | | | | | | | | | | | | | | | | |
| 332/X4314 | HSB108 | 2740 | 1288 | 985 | 478 | 2.04 | | | | | | | | | | | | | | | | | | | | | | | | | | | | | | |

*Ret.- Retracted. Ext.- Extended.

Dozer Blades (Requires multifunction controls)

- Dozer blade converts machine into a compact dozer
- 76mm diameter centre pin with hardened steel bushings provides outstanding strength
- Tilt and angle functions are easily adjusted 'on-the-go' with JCB multifunction controls
- Tilt indicator in easy view from the operator's seat
- Reversible bolt-on steel cutting edge, high carbon replaceable steel skid shoe and heavy-duty cast moldboard offer long term durability



| Part number | Model | Blade width (mm) | Max. angle (°) | Working width at 30° angle (mm) | Max. tilt (°) | | | | | | | | | | | | | | | | | |
|---|-------|------------------|----------------|---------------------------------|---------------|-----|-----|-----|-----|-----|------|------|------|---------|---------|-----|-----|-----|-----------|-----------|------|------|
| | | | | | | 135 | 155 | 175 | 190 | 205 | 150T | 190T | 205T | 225/250 | 260/270 | 280 | 300 | 330 | 225T/250T | 260T/270T | 300T | 320T |
| 332/X4285 | HDB84 | 2130 | 30 | 1857 | 10 | | | | | | | | | | | | | | | | | |
| 332/X4287 | HDB96 | 2440 | 30 | 2121 | 10 | | | | | | | | | | | | | | | | | |
| ADAPTER HARNESS FOR IN-CAB CONTROLS (Requires optional 7 way joysticks) | | | | | | | | | | | | | | | | | | | | | | |
| 332/X4391 | | | | | | | | | | | | | | | | | | | | | | |

Manure Forks

- Ideal for handling hay and packed material as well as cleaning up brush and limbs
- Ends of fork tines clearly visible
- Top grapple clamps hold load in place, reducing spillage while transporting material



| Part number | Model | Width (mm) | Weight (kg) | | | | | | | | | | | | | | | | | | | |
|-------------|-------|------------|-------------|-----|-----|-----|-----|-----|------|------|------|---------|---------|-----|-----|-----|-----------|-----------|------|------|--|--|
| | | | | 135 | 155 | 175 | 190 | 205 | 150T | 190T | 205T | 225/250 | 260/270 | 280 | 300 | 330 | 225T/250T | 260T/270T | 300T | 320T | | |
| 333/L6079 | MFG60 | 1520 | 189 | | | | | | | | | | | | | | | | | | | |
| 333/L6106 | MFG66 | 1680 | 208 | | | | | | | | | | | | | | | | | | | |
| 332/L3869 | MFG72 | 1830 | 215 | | | | | | | | | | | | | | | | | | | |
| 332/L3879 | MFG84 | 2130 | 238 | | | | | | | | | | | | | | | | | | | |

Pallet Forks

- Heavy-duty fork frame and tines rated at 2720kg capacity
- Heavy duty, see-through load guard offers superior strength while the flat surface provides protection against damaging the load



| Part number | Model | Fork length (mm) | Maximum fork spacing (mm) | Minimum fork spacing (mm) | | | | | | | | | | | | | | | | | | |
|-------------|-------|------------------|---------------------------|---------------------------|-----|-----|-----|-----|-----|------|------|------|---------|---------|-----|-----|-----|-----------|-----------|------|------|--|
| | | | | | 135 | 155 | 175 | 190 | 205 | 150T | 190T | 205T | 225/250 | 260/270 | 280 | 300 | 330 | 225T/250T | 260T/270T | 300T | 320T | |
| 332/L3341 | PF42 | 1070 | 1140 | 230 | | | | | | | | | | | | | | | | | | |
| 332/L3342 | PF48 | 1220 | 2240 | 230 | | | | | | | | | | | | | | | | | | |

Forestry Cutting Head (Requires additional guarding and multifunction controls)

- Extreme-duty design uses a high output variable displacement piston motor to provide maximum productivity
- Hydraulically adjustable deflector door allows control of discharge and size of processed material
- In-line hydraulic oil cooler protects the hydraulic system
- Easy-to-view gauge allows operator to monitor hydraulic operating pressure
- 2000 rpm drum with 20mm drum wall
- Heavy-duty adjustable push bar aids in toppling trees and offers additional protection to the carrier



| Part number | Model | Cutting width (mm) | Flow demand | | | | | | | | | | | | | | | | | | | |
|-------------|--------|--------------------|-------------|-----|-----|-----|-----|-----|------|------|------|---------|---------|-----|-----|-----|-----------|-----------|------|------|--|--|
| | | | | 135 | 155 | 175 | 190 | 205 | 150T | 190T | 205T | 225/250 | 260/270 | 280 | 300 | 330 | 225T/250T | 260T/270T | 300T | 320T | | |
| 334/L8351 | FC60HF | 1520 | High | | | | | | | | | | | | | | | | | | | |

Brush Grapples

- Dual, independent grapples hold irregularly shaped material securely in place
- 1016mm grapple opening allows for large payloads
- Guards protect all ram components from potential damage
- Standard load check valves provide positive clamp force



| Part number | Model | Width (mm) | Weight (kg) | 135 | 155 | 175 | 190 | 205 | 150T | 190T | 205T | 225/250 | 260/270 | 280 | 300 | 330 | 225T/250T | 260T/270T | 300T | 320T |
|-------------|-------|------------|-------------|-----|-----|-----|-----|-----|------|------|------|---------|---------|-----|-----|-----|-----------|-----------|------|------|
| 333/L5021 | HBG60 | 1520 | 324 | • | • | • | • | • | | | | | | | | | | | | |
| 333/L5022 | HBG66 | 1680 | 335 | • | • | • | • | • | | | | | | | | | | | | |
| 332/L4030 | HBG72 | 1830 | 420 | | | | | | • | • | • | • | • | • | • | • | | | | |
| 332/L4033 | HBG78 | 1980 | 453 | | | | | | | | | • | • | • | • | • | • | • | • | • |
| 332/L4035 | HBG84 | 2130 | 478 | | | | | | | | | | | | • | • | • | • | • | • |

Scrap Grapples

- Heavy-duty design to withstand the demands of harsh applications such as scrap handling, recycling, demolition
- Dual, independent grapples hold irregularly shaped material securely in place
- 1016mm grapple opening allows for large payloads
- Guards protect all ram components from potential damage
- Standard load check valves provide positive clamp force



| Part number | Model | Width (mm) | Weight (kg) | 135 | 155 | 175 | 190 | 205 | 150T | 190T | 205T | 225/250 | 260/270 | 280 | 300 | 330 | 225T/250T | 260T/270T | 300T | 320T |
|-------------|-------|------------|-------------|-----|-----|-----|-----|-----|------|------|------|---------|---------|-----|-----|-----|-----------|-----------|------|------|
| 333/L1085 | HSG60 | 1520 | 318 | • | • | • | • | • | | | | | | | | | | | | |
| 333/L1109 | HSG66 | 1680 | 335 | • | • | • | • | • | | | | | | | | | | | | |
| 332/L4036 | HSG76 | 1930 | 490 | | | | | | • | • | • | • | • | • | • | • | | | | |
| 332/L4039 | HSG82 | 2080 | 514 | | | | | | | | | | | | • | • | • | • | • | • |

Silage Defacer

- Inverted auger cutter design loosens and removes silage from compacted clamps
- Open frame design provides great visibility to the face of the clamp
- Maintains a smooth compacted clamp face to reduce spoilage and improve palatability for livestock
- Cutting action of defacer maintains original silage cut length
- Inboard mounted motor allows cutting up to adjacent clamp walls
- Frame stand protects cutting rotor during storage



| Part number | Model | Working width (mm) | Flow demand | 135 | 155 | 175 | 190 | 205 | 150T | 190T | 205T | 225/250 | 260/270 | 280 | 300 | 330 | 225T/250T | 260T/270T | 300T | 320T |
|-------------|-------|--------------------|-------------|-----|-----|-----|-----|-----|------|------|------|---------|---------|-----|-----|-----|-----------|-----------|------|------|
| 332/X4338 | SD96 | 2460 | Standard | | | | | | | | | • | • | • | • | • | • | • | • | • |

Snow Blowers

- 2-stage hydraulic snow blowers are able to throw snow up to 1.4m
- Poly-lined chute and deflector are easily set-up to direct snow discharge using JCB multi-function controls
- Direct drive hydraulic motor design eliminates unnecessary moving components, promoting less wear and longer life
- 635mm (Standard Flow) and 910mm (High Flow) shroud openings allow high volumes of snow to be moved quickly and efficiently
- Includes adjustable skid shoes and bolt-on replaceable wear-resistant tapered steel edge
- Provides optimum visibility to working area



| Part number | Model | Working width (mm) | Working height (mm) | Flow demand | 135 | 155 | 175 | 190 | 205 | 150T | 190T | 205T | 225/250 | 260/270 | 280 | 300 | 330 | 225T/250T | 260T/270T | 300T | 320T |
|-------------|-----------|--------------------|---------------------|-------------|-----|-----|-----|-----|-----|------|------|------|---------|---------|-----|-----|-----|-----------|-----------|------|------|
| 333/L6154 | SBL60 | 1520 | 610 | Standard | • | • | • | • | • | • | • | • | | | | | | | | | |
| 332/X4383 | SBL72 | 1830 | 635 | Standard | | • | • | • | • | • | • | • | • | • | • | • | • | | | | |
| 332/X4384 | SBL78 | 1980 | 635 | Standard | | | | | | • | • | • | • | • | • | • | • | • | • | • | • |
| 332/X4385 | SBL84 | 2130 | 635 | Standard | | | | | | | | | • | • | • | • | • | • | • | • | • |
| 334/L2463 | SBL72SPHF | 1830 | 890 | High | | • | • | • | • | • | • | • | | | | | | | | | |
| 332/X4399 | SBL72HF | 1830 | 915 | High | | | | | | | | | • | • | • | • | • | | | | |
| 334/L2491 | SBL78SPHF | 1980 | 890 | High | | | | | | • | • | • | | | | | | | | | |
| 332/X4400 | SBL78HF | 1980 | 915 | High | | | | | | | | | • | • | • | • | • | • | • | • | • |
| 332/X4401 | SBL84HF | 2130 | 915 | High | | | | | | | | | • | • | • | • | • | • | • | • | • |

Snow Blades

- Replaceable wear edge, adjustable skid shoes and spring loaded trip mechanism
- Standard-duty models include locking bolts for light-duty dozing applications
- Heavy-duty models feature reinforced steel blade construction
- 6° floating tilt gives cleaner removal on uneven roads



| Part number | Model | Blade Duty width (mm) | Standard | Max angle (°) | Working width at 30° angle (mm) | | | | | | | | | | | | | | | | | | | |
|-----------------------------------|--------|-----------------------|----------|---------------|---------------------------------|-----|-----|-----|-----|-----|------|------|------|---------|---------|-----|-----|-----|--------------|--------------|-----------|-----------|------|------|
| | | | | | | 135 | 155 | 175 | 190 | 205 | 150T | 190T | 205T | 225/250 | 260/270 | 280 | 300 | 330 | 315-SW/Ret.* | 315-SW/Ext.* | 225T/250T | 260T/270T | 300T | 320T |
| MANUAL ANGLE ADJUSTMENT | | | | | | | | | | | | | | | | | | | | | | | | |
| 333/L8499 | SBM60 | 1520 | Standard | ±30 | 1320 | • | • | • | • | • | • | • | • | • | • | • | • | • | • | • | • | • | • | • |
| 332/X4347 | SBM72 | 1830 | Standard | ±30 | 1575 | | | | | | • | • | • | • | • | • | • | • | • | • | • | • | • | • |
| 332/X4348 | SBM84 | 2130 | Standard | ±30 | 1855 | | | | | | | | | | | | | | | | • | • | • | • |
| 332/X4349 | SBM96 | 2440 | Standard | ±30 | 2110 | | | | | | | | | | | | | | | | • | • | • | • |
| HYDRAULIC ANGLE ADJUSTMENT | | | | | | | | | | | | | | | | | | | | | | | | |
| 333/L8498 | SBH60 | 1520 | Standard | ±30 | 1320 | • | • | • | • | • | • | • | • | • | • | • | • | • | • | • | • | • | • | • |
| 332/X4350 | SBH72 | 1830 | Standard | ±30 | 1575 | | | | | | • | • | • | • | • | • | • | • | • | • | • | • | • | • |
| 332/X4351 | SBH84 | 2130 | Standard | ±30 | 1855 | | | | | | | | | | | | | | | | • | • | • | • |
| 332/X4352 | SBH96 | 2440 | Standard | ±30 | 2110 | | | | | | | | | | | | | | | | • | • | • | • |
| 332/L3915 | HSB96 | 2440 | Heavy | ±30 | 2110 | | | | | | | | | | | | | | | | • | • | • | • |
| 332/L3927 | HSB108 | 2470 | Heavy | ±30 | 2360 | | | | | | | | | | | | | | | | • | • | • | • |
| 332/L3932 | HSB120 | 3050 | Heavy | ±30 | 2640 | | | | | | | | | | | | | | | | • | • | • | • |

Snow Pushers - Manual tilt angle adjustment

- Efficiently moves large volumes of snow and can be used for waste clean-up
- All models feature reversible and replaceable wear shoes



| Part number | Model | Width (mm) | | | | | | | | | | | | | | | | | | | | | | |
|-------------|-------|------------|-----|-----|-----|-----|-----|------|------|------|---------|---------|-----|-----|-----|--------------|--------------|-----------|-----------|------|------|---|---|---|
| | | | 135 | 155 | 175 | 190 | 205 | 150T | 190T | 205T | 225/250 | 260/270 | 280 | 300 | 330 | 315-SW/Ret.* | 315-SW/Ext.* | 225T/250T | 260T/270T | 300T | 320T | | | |
| 333/L5629 | SBM72 | 1965 | | | | | | | | | • | • | • | • | • | • | • | • | • | • | • | • | • | |
| 333/L5640 | SBM84 | 2270 | | | | | | | | | • | • | • | • | • | • | • | • | • | • | • | • | • | |
| 333/L5646 | SBM96 | 2575 | | | | | | | | | | | | | | | | | | | • | • | • | • |

*Ret. - Retracted. Ext. - Extended.

Material Weights

| Material | kg/m ³ | Fill factor % |
|----------------------------|-------------------|---------------|
| Apples | 525 | 85 |
| Ashes | 604 | 85 |
| Barley | 600 | 85 |
| Beet pulp (nuts) | 604 | 100 |
| Beet pulp (pressed) | 906 | 110 |
| Brewer's grain | 1110 | 85 |
| Brick aggregate | 1828 | 100 |
| Carrots | 636 | 100 |
| Cement (natural) | 874 | 100 |
| Cement (Portland) | 1440 | 100 |
| Chalk | 795 | 100 |
| Clay (fire) | 2080 | 100 |
| Clay (wet) | 1680 | 110 |
| Coal (anthracite) | 1046 | 100 |
| Coal (bituminous) | 765 | 100 |
| Coke (loose) | 570 | 85 |
| Earth (dry) | 1150 | 100 |
| Fertiliser (mixed) | 1030 | 85 |
| Flour | 445 | 85 |
| Gravel (dry) | 1650 | 85 |
| Hay (normal density bale) | 190 | 110 |
| Lime (quick) | 881 | 100 |
| Limestone (crushed) | 1530 | 100 |
| Manure (farmyard) | 922 | 85 |
| Nitrate Fertiliser | 1250 | 85 |
| Oats | 415 | 85 |
| Onions | 556 | 85 |
| Peat (dry) | 400 | 100 |
| Petroleum coke | 680 | 85 |
| Potatoes | 699 | 85 |
| Refuse (town) | 318 | 100 |
| Rubble | 1047 | 100 |
| Sand (dry) | 1550 | 100 |
| Sand (wet) | 1890 | 110 |
| Sawdust | 238 | 110 |
| Silage (ensile) | 747 | 110 |
| Silage (green) | 349 | 110 |
| Slurry | 1780 | 85 |
| Snow (fresh) | 200 | 110 |
| Snow (wet) | 400 | 110 |
| Sodium chloride (dry salt) | 1300 | 86 |
| Straw (high density bale) | 254 | 110 |
| Sugar beet | 530 | 100 |
| Turnips | 540 | 100 |
| Wheat | 730 | 85 |

Notes
